

UFM 040

Mobile filtration unit



- **Compact size**
- **Light**
- **Easy to use**
- **Easy maintenance**
- **Reliable**
- **Absolute filtration**

UFM 040 mobile filtration units suitable for filling and refilling of filtered hydraulic fluids and lubrication tanks.

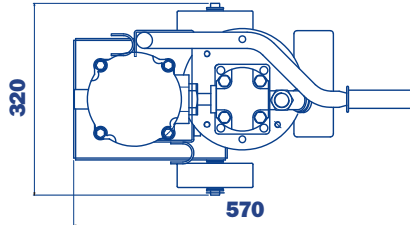
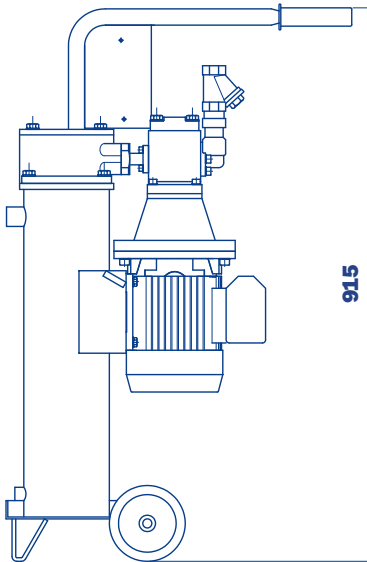
The filter unit connected to off-line to the tank (recommended maximum volume of 350/500 L.), can be used as a support to the filtration plant on start-up for fast flushing action, either as additional filtration systems with a high incidence of contamination.

Continued use is recommended for the version with three phase electric motor.

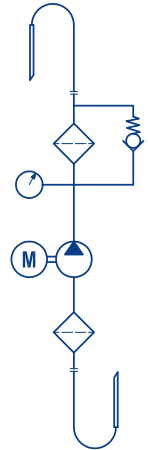
Technical data

Pump	Gear pump
Electric Motor	0,75 Kw 230 Volt single phase electric motor 0,75 Kw 400/230 Volt three phase electric motor
Flow (l/min)	33 l/min
Max. Operation Pressure	5 bar
Viscosity range	Min. operation 10 cSt Max. operation 200 cSt Max. only for cold start 800 cSt
Suction Filter	Type Y filtration 300 µm
Filtration Rating	1/3/6/10/16/25 µm β>1000 flow through the element In/Out
By-Pass valve	Rating 2,5 bar
Fluid Temperature	From -10° to +80 °C
Ambient Temperature	From -20° to +45 °C
Protection Class	IP 55
Seal	NBR
Fluid Compatibility	Mineral Oil - Other on request
Suction hose - with lance	1" length 2500 mm - DN35 length 700 mm
Pressure hose - with lance	3/4" length 3000 mm - DN28 length 700 mm
Weight	45 kg.
Equipment	Visual clogging indicator (gauge)

Dimensions



Symbol



Spare parts

Filter element

Inorganic microfibre element

MR 250 4 A01 A P01	1 µm absolute
MR 250 4 A03 A P01	3 µm absolute
MR 250 4 A06 A P01	6 µm absolute
MR 250 4 A10 A P01	10 µm absolute
MR 250 4 A16 A P01	16 µm absolute
MR 250 4 A25 A P01	25 µm absolute

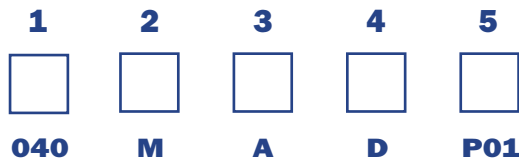
Wire mesh element

MR 250 4 M25 A P01	25 µm
MR 250 4 M60 A P01	60 µm

Ordering information

UFM

Example: UFM



1 - Flow

040 33 l/min

2 - Electric motor

M Single phase 220 V
T Three phase 380 V

3 - Seals

A NBR

4 - Filter elements

S Without element
D 1 µm absolute
E 3 µm absolute
F 6 µm absolute
G 10 µm absolute
H 16 µm absolute
L 25 µm absolute
M 25 µm wire mesh
N 60 µm wire mesh

5 - Option

P01 Standard MP Filtri