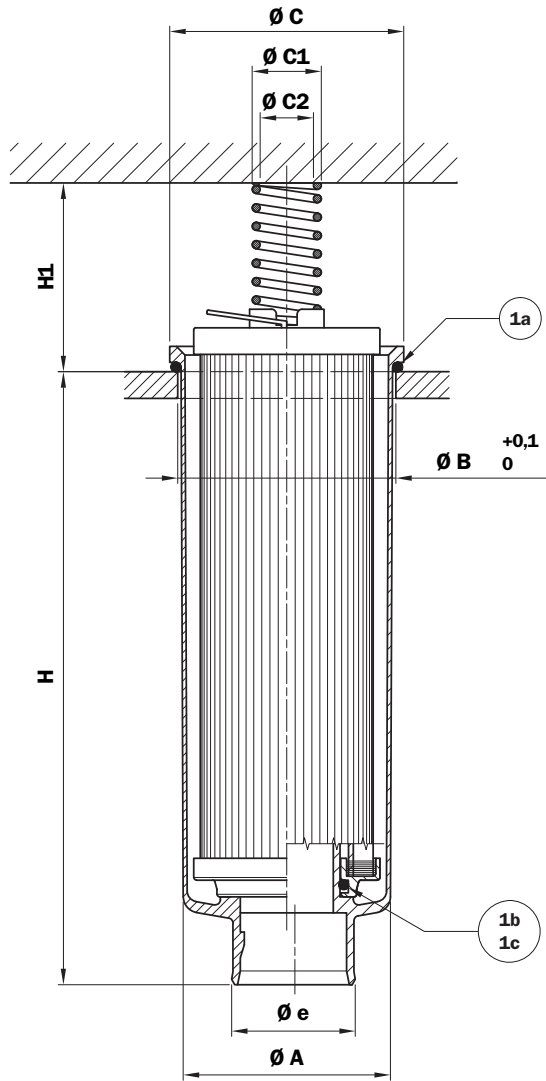
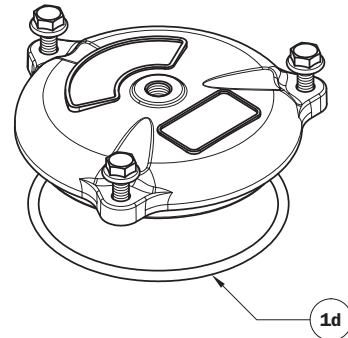


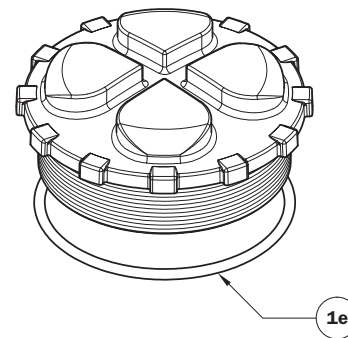
# MFB - Bowl assembly



Cover type MPF



Cover type MPT



## MFB

Size	Filter Length	H mm	H1			Ø e mm	Ø A mm	Ø B mm	Ø C mm	Ø C1 mm	Ø C2 mm
			Without cover	MPF	MPT						
020	1	111	42	-	42	32	51,5	52	56	26	20,5
	2	175									
	3	214									
030	1	92	38	38	-	32	60	60,5	68	26	20,6

Size	Filter Length	H mm	H1			Ø e mm	Ø A mm	Ø B mm	Ø C mm	Ø C1 mm	Ø C2 mm
			Without cover	MPF	MPT						
100	1	107	48	48	58	38	80	80,5	88	26	20
	2	154									
	3	232									
	4	334									
180	1	234	58	58	-	47	112	112,5	121	33,5	26
	2	447									
190	2	446	58	58	-	50	112	112,5	121	33,5	26

## Spare parts

Item	Description	Q.ty	FILTER Series MFB 020		FILTER Series MFB 030		FILTER Series MFB 100		FILTER Series MFB 180		FILTER Series MFB 190	
			NBR	FPM	NBR	FPM	NBR	FPM	NBR	FPM	NBR	FPM
1	Seal Kit	1	02050572	02050573	02050574	02050575	02050555	02050556	02050576	02050577	02050578	02050579
1a	Bowl seal	1	O-R 3200 Ø 50,47 x 2,62		O-R 3225 Ø 56,82 x 2,62		O-R 4312 Ø 78,97 x 3,53		O-R 4425 Ø 107,50 x 3,53		O-R 6425 Ø 107,20 x 5,34	
1b	Filter element seal (length 1-2)	1	O-R 4087 Ø 21,82 x 3,53		O-R 3093 Ø 23,47 x 2,62		O-R 4112 Ø 28,17 x 3,53		O-R 4162 Ø 40,86 x 3,53		O-R Metric Ø 50 x 4	
1c	Filter element seal (length 3-4)	1	O-R 3081 Ø 20,24 x 2,62		-		O-R 4162 Ø 40,86 x 3,53		-		-	
1d	Cover type MPF seal	1	-		O-R 174 Ø 71,44 x 3,53		O-R 4387 Ø 98,02 x 3,53		O-R 4537 Ø 136,10 x 3,53		O-R 4537 Ø 136,10 x 3,53	
1e	Cover type MPT seal	1	O-R Metric Ø 59 x 3		-		O-R Metric Ø 90 x 4		-		-	

# Ordering information MFB

## Bowl assembly

### MFB

Example: MFB

<b>1</b>	<b>2</b>	<b>3</b>	<b>4</b>	<b>5</b>	<b>6</b>	<b>8</b>	<b>9</b>
<input type="checkbox"/>	<input type="checkbox"/>	<input type="checkbox"/>	<input type="checkbox"/>	<input type="checkbox"/>	<input type="checkbox"/>	<input type="checkbox"/>	<input type="checkbox"/>
<b>100</b>	<b>3</b>	<b>A</b>	<b>1</b>	<b>A03</b>	<b>H</b>	<b>E</b>	<b>P01</b>

## Filter element

### MF

Example: MF

<b>1</b>	<b>2</b>	<b>5</b>	<b>6</b>	<b>7</b>	<b>8</b>	<b>9</b>
<input type="checkbox"/>	<input type="checkbox"/>	<input type="checkbox"/>	<input type="checkbox"/>	<input type="checkbox"/>	<input type="checkbox"/>	<input type="checkbox"/>
<b>100</b>	<b>3</b>	<b>A03</b>	<b>H</b>	<b>B</b>	<b>E</b>	<b>P01</b>

### 1 - Style

#### Bowl assembly

<b>020</b>
<b>030</b>
<b>100</b>
<b>180</b>
<b>190</b>

#### Filter element

<b>020</b>
<b>030</b>
<b>100</b>
<b>180</b>
<b>190</b>

### 2 - Length

<b>020</b>
<b>030</b>
<b>100</b>
<b>180</b>
<b>190</b>

<b>1</b>	<b>2</b>	<b>3</b>	
<b>1</b>			
<b>1</b>	<b>2</b>	<b>3</b>	<b>4</b>
<b>1</b>	<b>2</b>		
	<b>2</b>		

### 3 - Seals

<b>A</b>	NBR
<b>V</b>	FPM

### 4 - Execution

<b>1</b>	Without cover
<b>2</b>	With flanged cover type MPF (only for size 030-100-180-190)
<b>3</b>	With threaded cover type MPT (only for size 020-100)

### 5 - Filter element

<b>A03</b>	Inorganic microfibre 3 $\mu$	} Absolute filtration $\beta_x(c) \geq 1000$
<b>A06</b>	Inorganic microfibre 6 $\mu$	
<b>A10</b>	Inorganic microfibre 10 $\mu$	
<b>A16</b>	Inorganic microfibre 16 $\mu$	
<b>A25</b>	Inorganic microfibre 25 $\mu$	
<b>M25</b>	Wire mesh	} Nominal Filtration
<b>P10</b>	Resin impregnated paper	} Nominal Filtration
<b>P25</b>	Resin impregnated paper	

### 6 - $\Delta p$ Filter element

<b>N</b>	$\Delta p$ 10 bar (only for filter element type Pxx and Mxx)
<b>H</b>	$\Delta p$ 10 bar (only for filter element type Axx)

### 7 - Filter element seals

<b>B</b>	NBR
<b>V</b>	FPM

### 8 - By-pass valve

<b>E</b>	3 bar
<b>B</b>	1.75 bar (Omit in the element code - only for 1.75 bar)

### 9 - Option

<b>P01</b>	MP Filtri standard
------------	--------------------

**MP Filtri** - The filter functions as described in this bulletin are valid exclusively for original MP Filtri filter elements and replacement parts. All rights reserved

The data in this publication are purely guideline. MP Filtri reserves the right to make changes to the models described herein at any time it deems fit in relation to technical or commercial requirements. The colours of the products shown on the cover are purely guideline. Copyright. All rights reserved.