

FMP 039

Maximum pressure 110 bar
Flow rates to 80 l/min



Technical data

Filter housing (Materials)

- Head: Anodized aluminium
- Housing: Anodized aluminium
- Bypass valve: Steel

Pressure

- Working pressure: 110 bar (11 MPa)
- Test pressure: 170 bar (17 MPa)
- Burst pressure: 330 bar (33 MPa)
- Pulse pressure fatigue test: 1.000.000 cycles with pressure from 0 to 110 bar (11 MPa)

Temperature

- From -25 °C to +110 °C

Bypass valve

- Opening pressure 6 bar \pm 10%
- Other opening pressures on request.

Δp Elements type

- Microfibre filter elements series N: 20 bar
- Wire mesh filter elements series N: 20 bar
- Fluid flow through the filter element from OUT to IN.

Seals

- Standard NBR series A
- Optional FPM series V

FMP 039 FILTERS ARE PROVIDED FOR VERTICAL MOUNTING

Weights (kg)

Length	2	3	4
• FMP 039	0,60	0,70	0,80

Volumes (dm³)

Length	2	3	4
• FMP 039	0,19	0,26	0,34

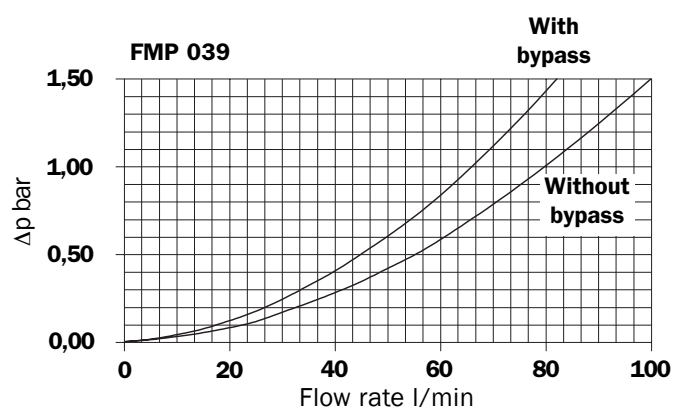
Connections

- FMP 039: In-line Inlet/Outlet

Filter housings Δp pressure drop

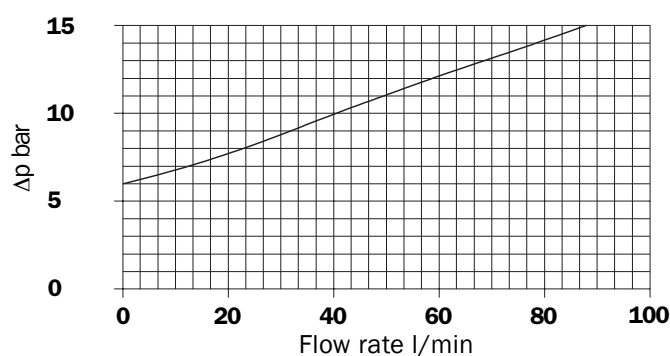
The curves are plotted utilising mineral oil with density of 0.86 kg/dm³ to ISO 3968.

Δp varies proportionally with density.



Valves

Bypass valve pressure drop



Recommended maximum flow rate

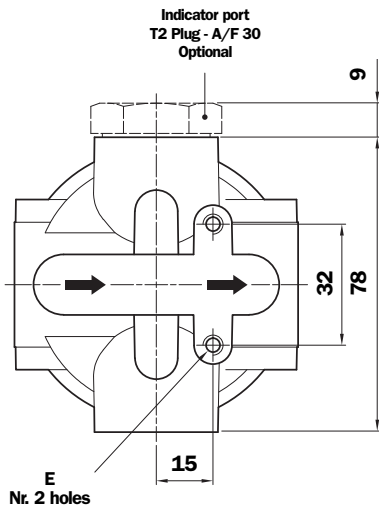
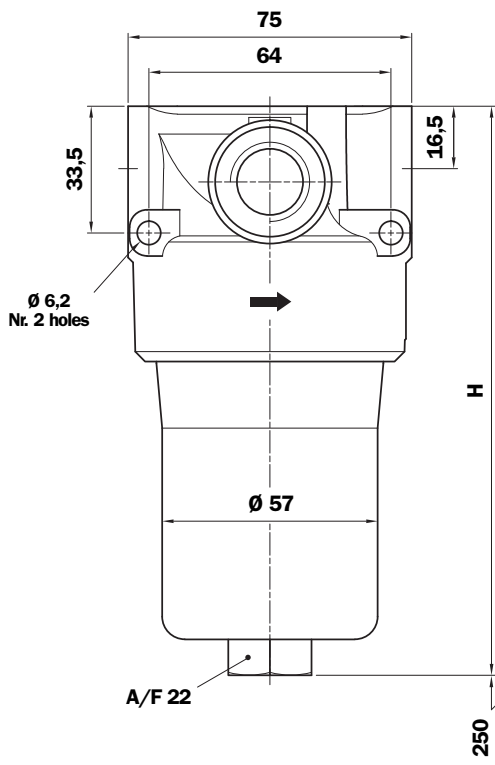
- Pressure drop of filter assembly equal to Δp 1,5 bar.
- Oil kinematic viscosity 30 mm²/s (cSt).
- Density 0,86 kg/dm³.
- Connections of filter under test G 1/2".

Filtration

	Length	A03	A06	A10	A16	A25	M25
FMP 039	2	18	23	39	44	52	72
	3	30	33	48	54	64	77
	4	38	42	56	61	70	80

Series N - Flow rate l/min

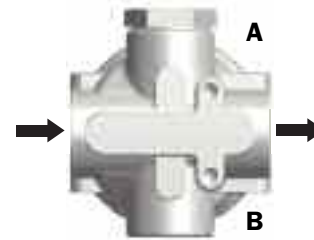
FMP 039



Execution 1: Without indicator connection



Execution 6: Double indicator connection (A - B)

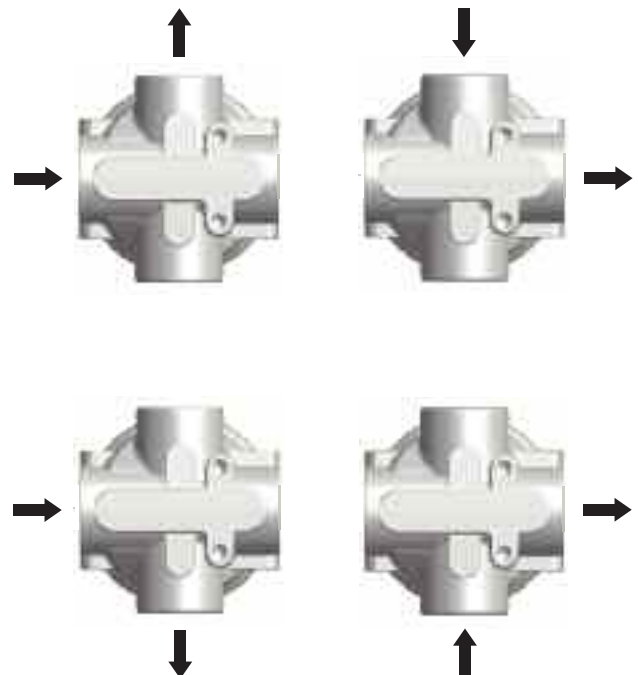


A:
Closure cap with standard T2 steel.
The position of the cap is reversible.

B:
Standard closure cap with plastic
thread protection.

If necessary, the second plug T2,
see page 15 ordering information.

Special connections on request



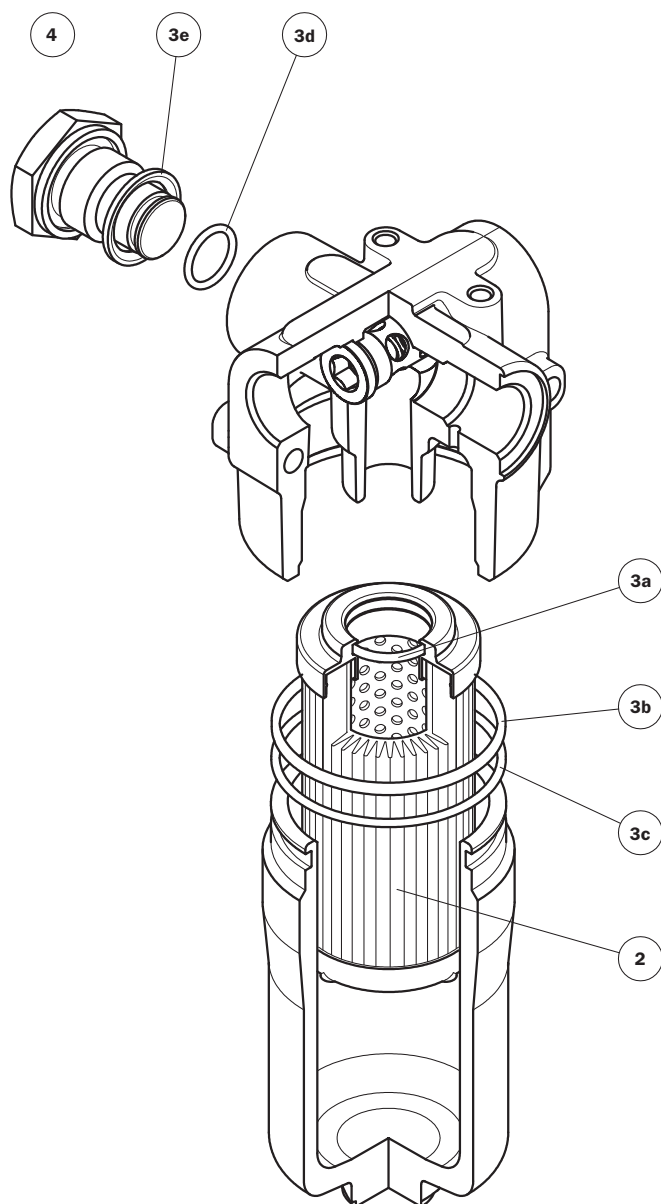
FMP 039

Length Filter	H mm
2	151
3	194
4	238

Thread connections

Type	Size	E Depth 6 mm
A	G 1/2"	M6
B	1/2" NPT	1/4" UNC
C	SAE 8 - 3/4" - 16 UNF	1/4" UNC

Spare parts



Item	Description	Q.ty	FILTER Series FMP 039	
1	Filter assembly	1	See order table	
2	Filter element	1	See order table	
3	Seal Kit	1	NBR 02050509	FPM 02050510
3a	O-Ring for filter element	1	O-R 4087 Ø 21,82 x 3,53	
3b	O-Ring for housing	1	O-R 3200 Ø 50,47 x 2,62	
3c	Anti-extrusion ring	1	Parbak 136 Ø 51,26 x 2,18	
3d	O-Ring indicator	2	O-R 2050 Ø 12,42 x 1,78	
3e	Seal	2	01030058 (HNBR)	01030046 (FPM)
4	Indicator connection plug	1	T2H	T2V

Ordering information FMP 039

Filter assembly FMP

	1	2	3	4	5	6	7	8	9
	<input type="checkbox"/>	<input type="checkbox"/>	<input type="checkbox"/>	<input type="checkbox"/>	<input type="checkbox"/>	<input type="checkbox"/>	<input type="checkbox"/>	<input type="checkbox"/>	<input type="checkbox"/>
Example: FMP	039	2	B	A	A	1	A10	N	P01

Filter element HP

	1	2	7	4	8	9
	<input type="checkbox"/>	<input type="checkbox"/>	<input type="checkbox"/>	<input type="checkbox"/>	<input type="checkbox"/>	<input type="checkbox"/>
Example: HP	039	2	A10	A	N	P01

1 - Style

Filter	Filter element
<input type="checkbox"/> 039	<input type="checkbox"/> 039

2 - Filter length

<input type="checkbox"/> 039	<input type="checkbox"/> 2	<input type="checkbox"/> 3	<input type="checkbox"/> 4
-------------------------------------	-----------------------------------	-----------------------------------	-----------------------------------

3 - Valves

<input type="checkbox"/> S	Without bypass
<input type="checkbox"/> B	With bypass

4 - Filter seals

<input type="checkbox"/> A	NBR
<input type="checkbox"/> V	FPM
<input type="checkbox"/>	On request

5 - Connections

Threaded

FMP 039

Type	Size
A	G 1/2"
B	1/2" NPT
C	SAE 8 - 3/4" - 16 UNF

6 - Indicator port

<input type="checkbox"/> 1	Without indicator port
<input type="checkbox"/> 6	With 2 indicators port*

7 - Filter element

<input type="checkbox"/> A03	Inorganic microfibre 3 μ	} Absolute filtration Inorganic Microfibre $\beta_x(c) \geq 1000$
<input type="checkbox"/> A06	Inorganic microfibre 6 μ	
<input type="checkbox"/> A10	Inorganic microfibre 10 μ	
<input type="checkbox"/> A16	Inorganic microfibre 16 μ	
<input type="checkbox"/> A25	Inorganic microfibre 25 μ	} Nominal Filtration Metal mesh
<input type="checkbox"/> M25	Wire mesh 25 μ	

8 - Max filter element differential pressure

<input type="checkbox"/> N	Δp 20 bar
-----------------------------------	-------------------

9 - Option

<input type="checkbox"/> P01	MP Filtri standard
<input type="checkbox"/> Pxx	On request

* Indicator plug:

Phosphated Steel plug T2 has to be ordered separately.

Code

<input type="checkbox"/> T2H	Seal NBR
<input type="checkbox"/> T2V	Seal FPM