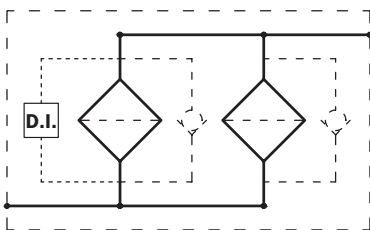


LMP 952 - 956



LMP 952 - 956
Mounting on manifold



Maximum pressure 25 bar
Flow rates to 3000 l/min

Filter housing (Materials)

- Head: Anodised Aluminium
- Housing: Anodised Aluminium
- Manifolds: Welded - phosphated steel
- Bypass valve: Anodised Aluminium

Pressure

- Working pressure: 25 bar (2.5 MPa)
- Test pressure: 35 bar (3,5 MPa)

Temperature

- From -25 °C to +110 °C

Bypass valve

- Opening pressure 3.5 bar \pm 10%
- Other opening pressures on request.

Number of filter elements

- LMP 952: 2 filter elements CU950-3
- LMP 953: 3 filter elements CU950-3
- LMP 954: 4 filter elements CU950-3
- LMP 955: 5 filter elements CU950-3
- LMP 956: 6 filter elements CU950-3

Δp Elements type

- Series N elements: 20 bar
- Oil flow from exterior to interior.

Seals

- Standard NBR series A
- Optional FPM series V

Weights (kg)

Length

- LMP952 96
- LMP953 138
- LMP954 192
- LMP955 234
- LMP956 277

Volumes (dm³)

Length

- LMP952 66
- LMP953 99
- LMP954 132
- LMP955 165
- LMP956 198

Connections

In-Line Inlet-Outlet

Compatibility (to ISO 2943)

- Housings compatible with:
Mineral oils, synthetic fluids,
aqueous emulsions, water and glycol
- The filter elements are compatible with:
Mineral oils, synthetic fluids,
aqueous emulsions, water and glycol.
- NBR seals series A, compatible with:
Mineral oils, synthetic fluids, aqueous emulsions and
water and glycol.
- FPM seals series V, compatible with:
Synthetic fluids type HS-HFDR-HFDS-HFDU

Filter Element Area

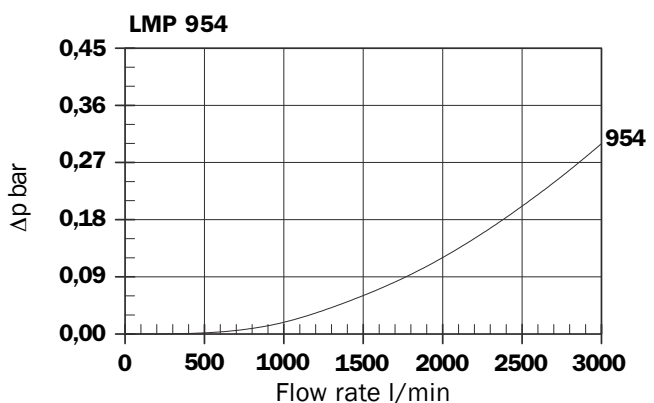
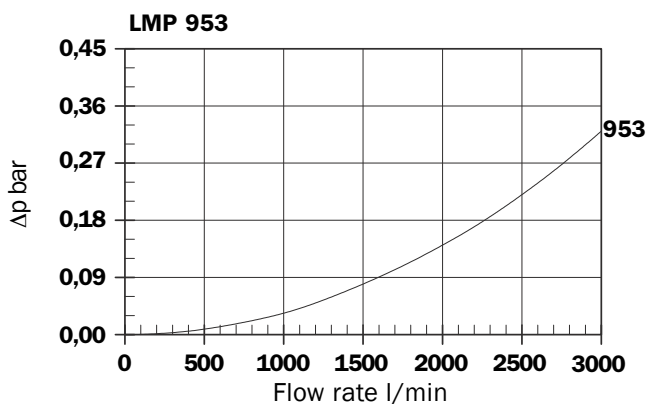
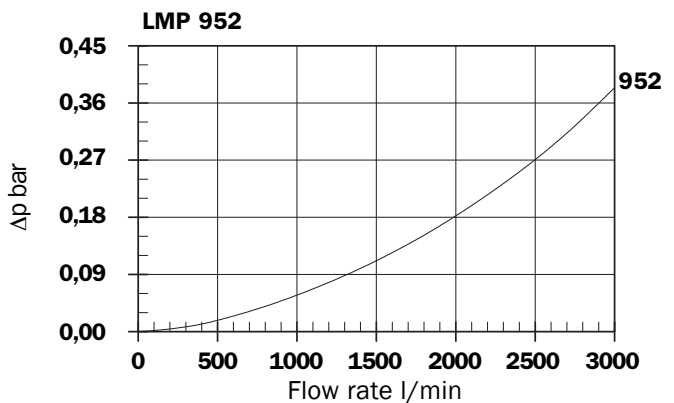
Filter element in stainless steel mesh

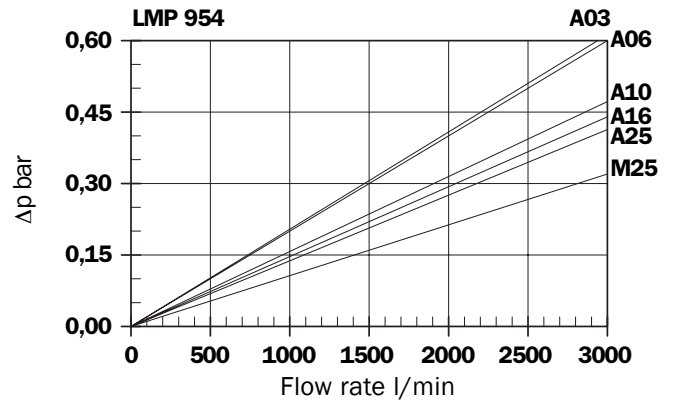
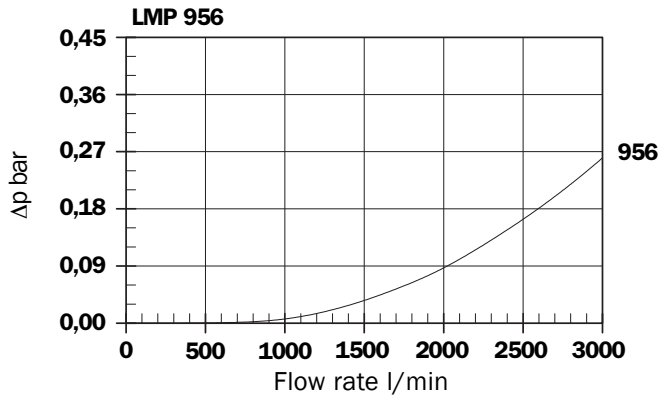
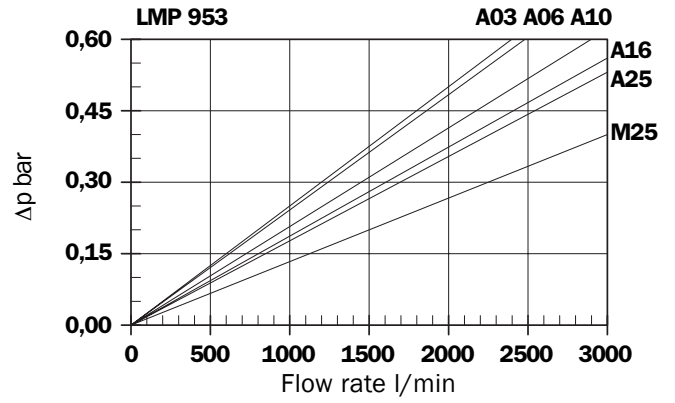
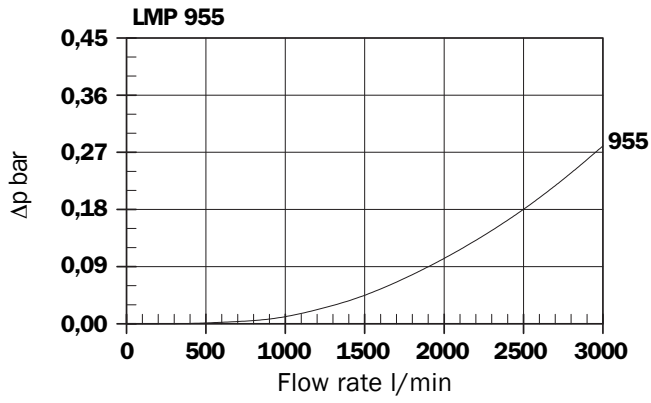
Type	Length				
	952	953	954	955	956
CU950 - 3	50200	75300	100400	125500	150600
Values expressed in cm²					

Filter housing Δp pressure drop

The curves are plotted utilising mineral oil with density of 0.86 kg/dm³ to ISO 3968.

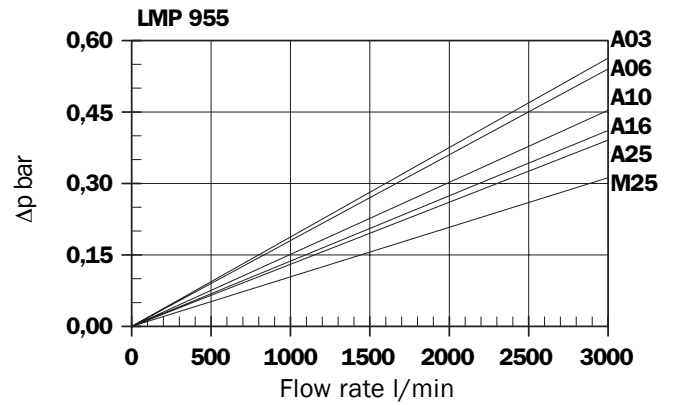
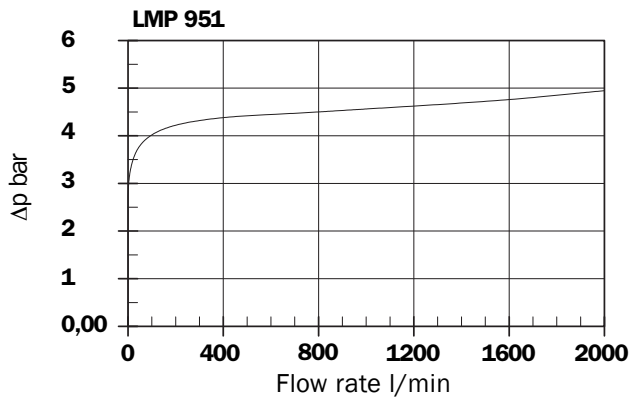
Δp varies proportionally with density.



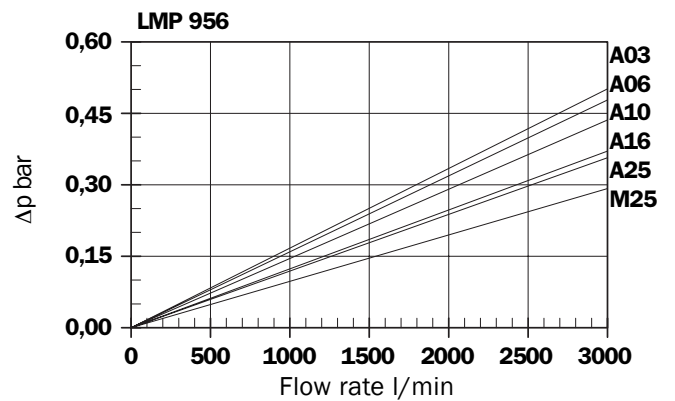
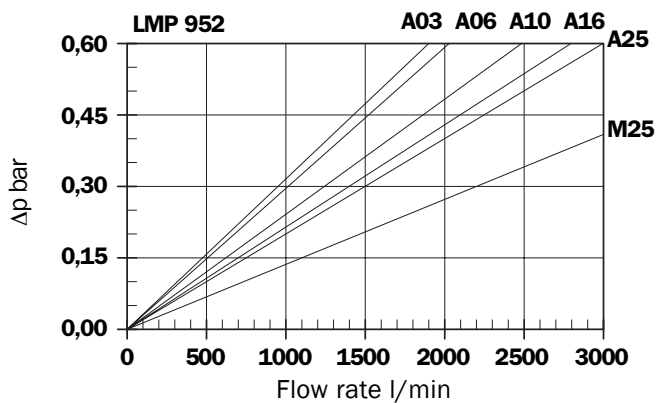


Valves

Bypass valve pressure drop



Pressure drop of filter complete with cartridge, oil viscosity 30 mm²/s (cSt)



Option P02 for LMP 952 - 956



Option P02 "Internal tube for reduced flow rate" is recommended for flow rate values below:
 LMP 952 - 300 l/min
 LMP 953 - 450 l/min
 LMP 954 - 600 l/min
 LMP 955 - 750 l/min
 LMP 956 - 900 l/min
 The use of option P02 makes it easier to fill the housing with the operating fluid.

P02 "Internal tube for reduced flow rates"

Recommended maximum flow rate

Recommended maximum flow rate for filters installed on lubrication lines, return or in-line filters is defined by the maximum oil velocity in the connections.

For filters mounted on Off-Line lines the maximum recommended flow rate is defined by the pressure drop of the filter element.

Filter for pressurised lubrication, max. oil velocity 2.5 m/sec.
 Return or in-line filter, max oil velocity 5 m/sec.

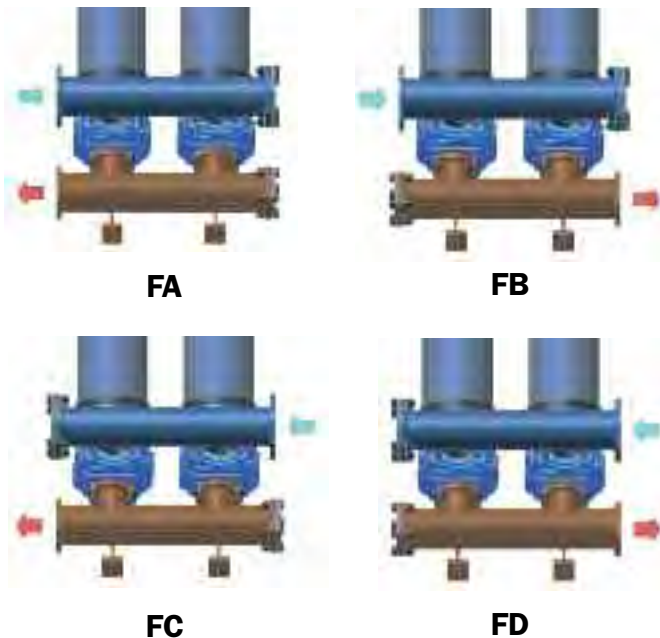
Oil velocity	Connection
	4"
2,5 m/sec.	1200
5 m/sec.	2400

Flow rate l/min

Off-Line filter, filter element recommended maximum pressure drop must be equal to Δp 0.2 ÷ 0.3 bar.

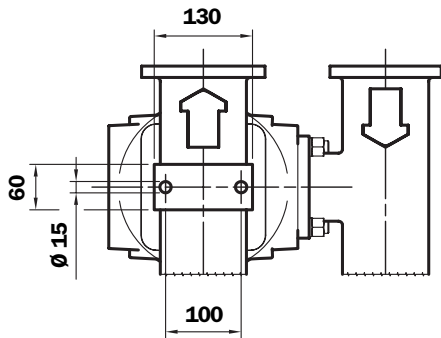
Manifolds

Position of manifolds IN - OUT connections



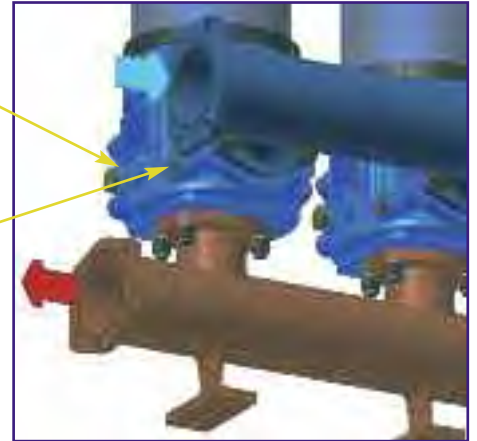
Dimensions

LMP 95x



Indicator port
Plug T2 - A/F 30

Oil drain plug
G 1/2" - A/F 10

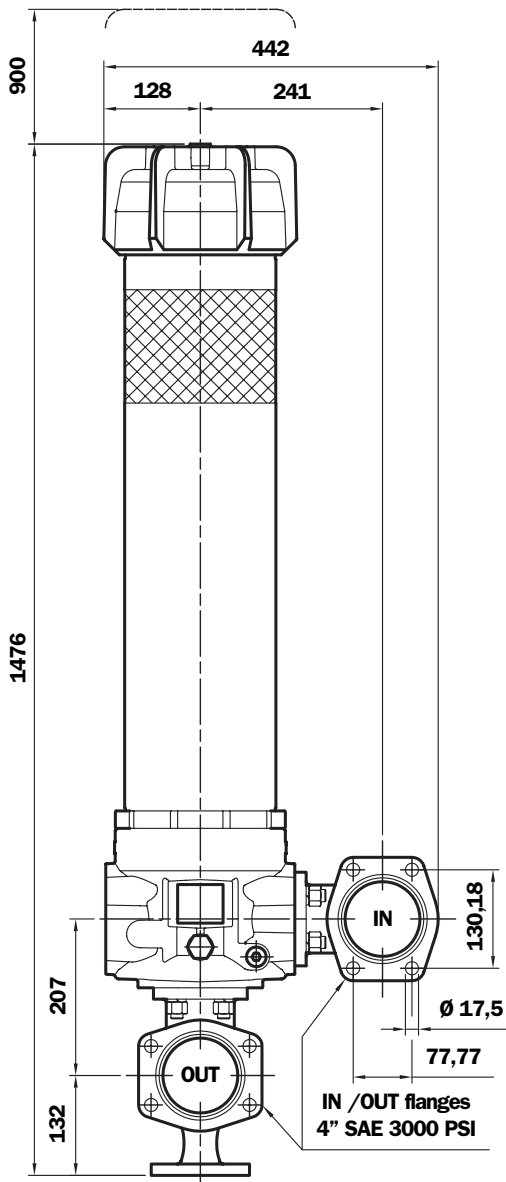


Breather plug
G 1/2" - A/F 10

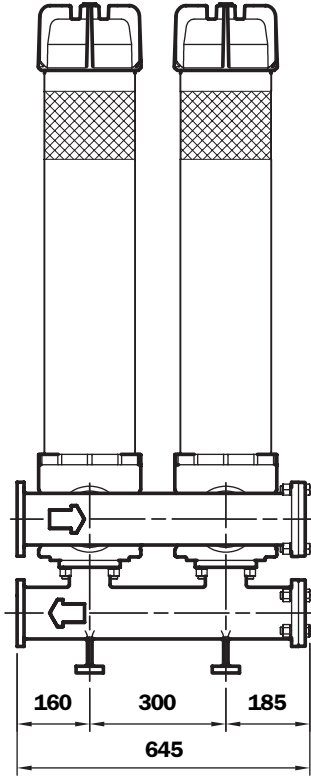


Oil drain plug
G 1/2" - A/F 10

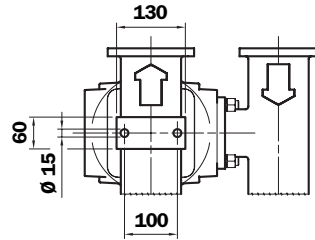
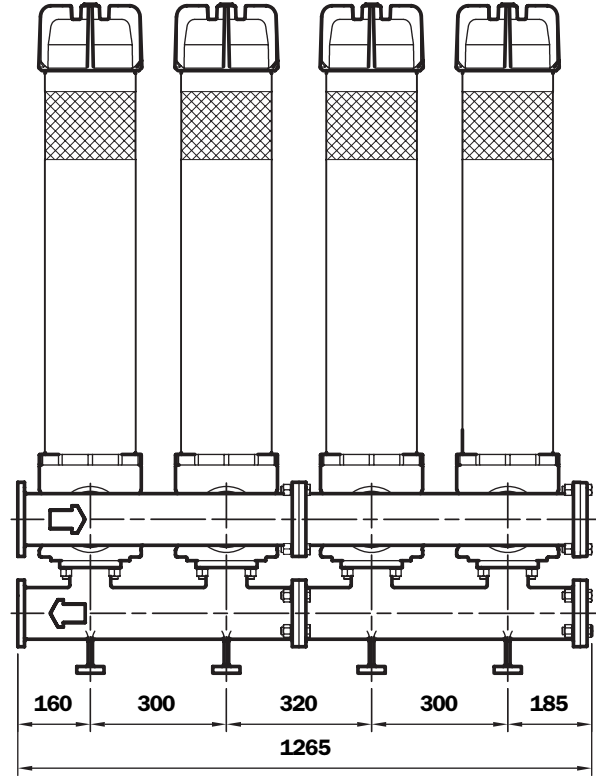
Indicator port
Plug T2 - A/F 30



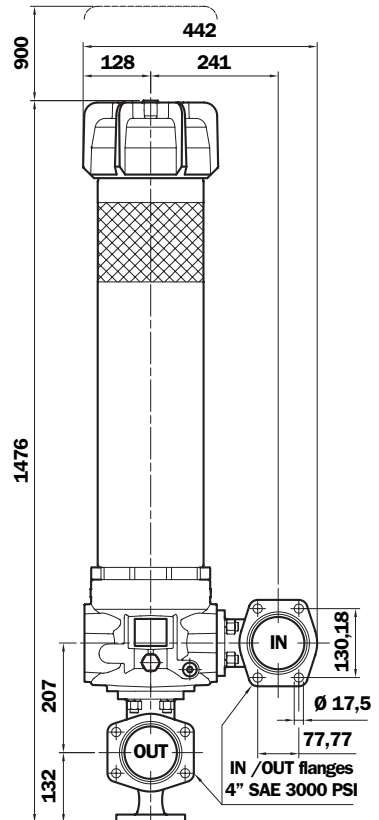
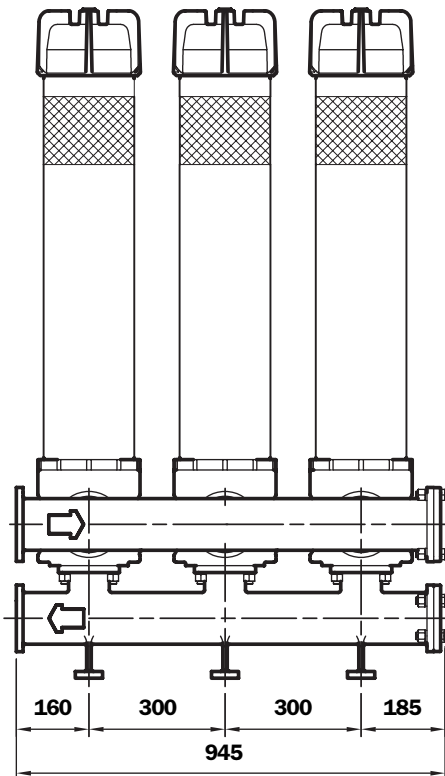
LMP 952



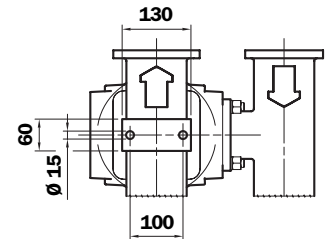
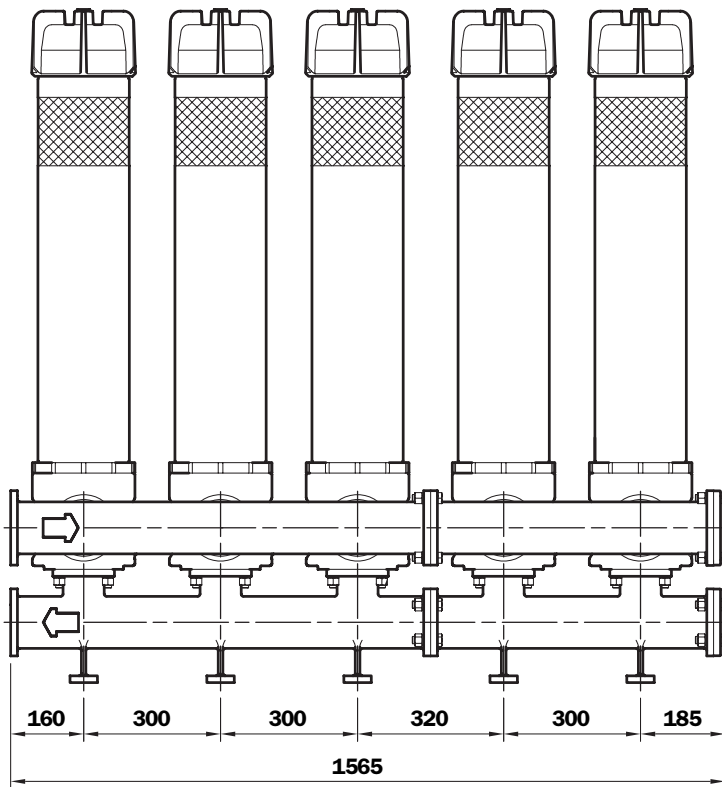
LMP 954



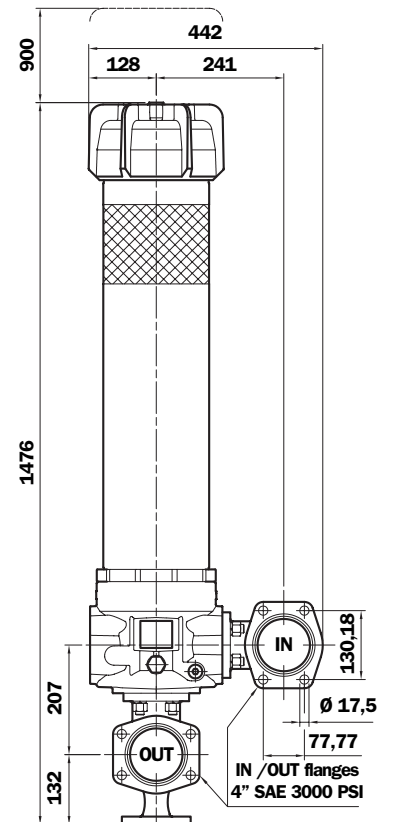
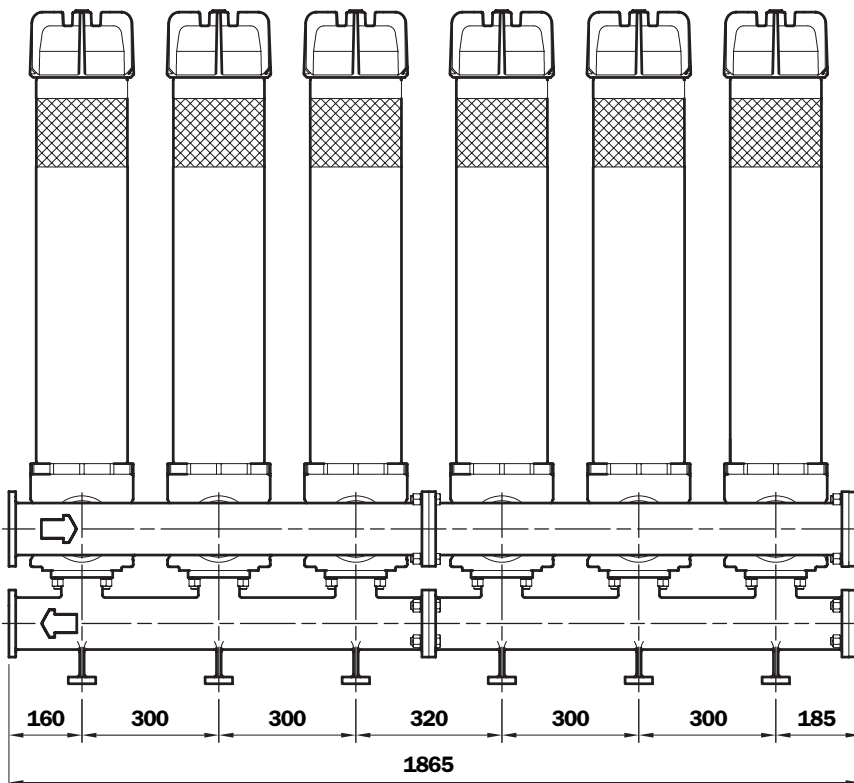
LMP 953



LMP 955

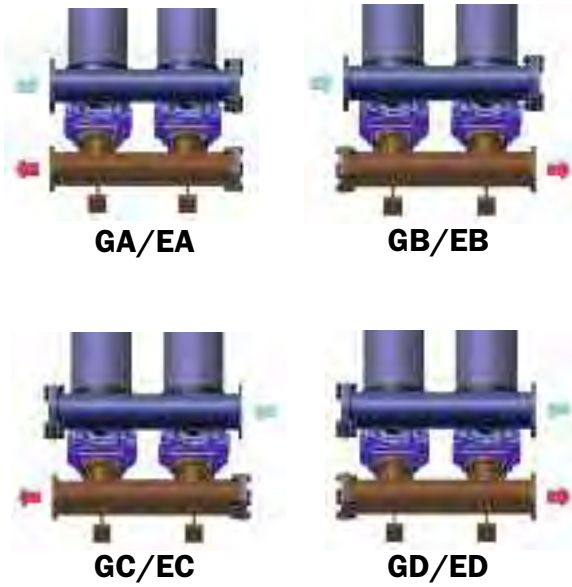


LMP 956



Manifolds

Position and designation of manifolds IN - OUT connections



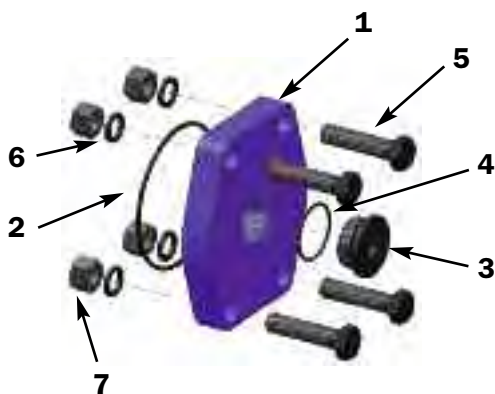
Option

Flange with oil drain plug for rapid discharge



Order code:

CMV4 CUV4



CMV4

Bill of materials:

- 1 4" SAE flange
- 2 O-R 4437 (FPM) for flange
- 3 Plug G 1-1/4"
- 4 O-R 3168 for plug (FPM)
- 5 No. 4 Hexagon bolt screws UNI-EN 24017 M16 x 65-10.9
- 6 No. 4 Spring washers UNI 1751-B 16
- 7 No. 4 Nuts UNI 5587 - M16

CUV4

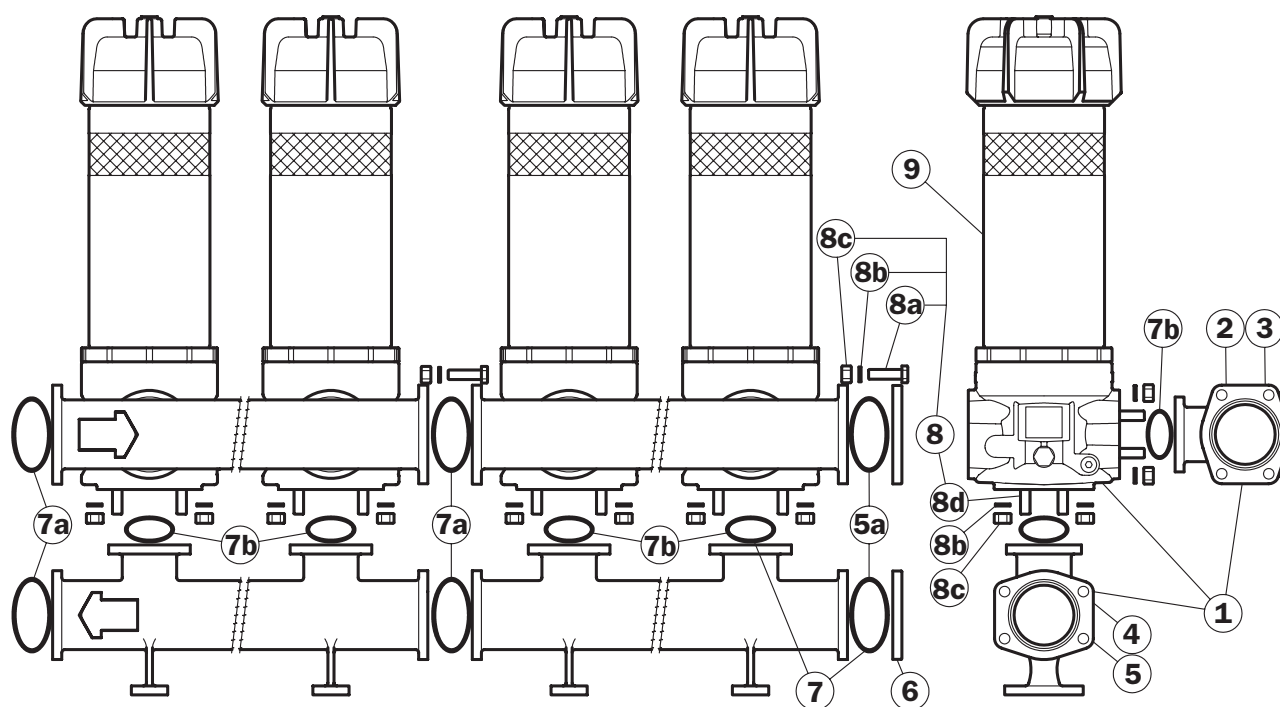
Bill of materials:

- 1 4" SAE flange
- 2 O-R 4437 (FPM) for flange
- 3 Plug SAE 20 1 5/8" - 12 UN
- 4 1147 O-R for plug (FPM)
- 5 No. 4 Hexagon bolt screws 5/8" UNC x 2 1/2"
- 6 No. 4 Spring washers UNI 1751-B 16
- 7 No. 4 Nuts 5/8" UNC

Oil drain plug

Code	CMV4	CUV4
	A	A
Thread	G 1 1/4"	SAE 20
	GA	EA
	GB	EB
	GC	EC
	GD	ED

Spare parts



Item	Description	Q.ty / LMP 95*					FILTER Series				
		*2	*3	*4	*5	*6	LMP 952 - 953 - 954 - 955 - 956				
1	Filter assembly	1					See order table				
2	IN manifold with 2 filter connections	1	-	2	1	-	01039270				
3	IN manifold with 3 filter connections	-	1	-	1	2	01039272				
4	OUT manifold with 2 filter connections	1	-	2	1	-	01039271				
5	OUT manifold with 3 filter connections	-	1	-	1	2	01039273				
6	4" SAE 3000 psi plugged flange	2					01042020				
7	Manifolds seal kit	1					LMP 952 - 953 NBR 02050404 FPM 02050405		LMP 954 - 955 - 956 NBR 02050406 FPM 02050407		
7a	IN-OUT O-Ring	4	4	6	6	6	O-R 4437 Ø 110,7 x 3,53				
7b	Manifolds/filter O-Ring	4	6	8	10	12	O-R 4337 Ø 85,32 x 3,53				
8	Threaded fasteners kit for manifolds	1					*2F... 02049051	*3F... 02049052	*4F... 02049053	*5F... 02049054	*6F... 02049055
8a	Hexagon bolt screws	8	8	16	16	16	UNI-EN 24017 M16 x 55-10.9				
8b	Spring washers	24	32	48	56	64	UNI 1751 - B16				
8c	Nuts	24	32	48	56	64	UNI-EN 24032 M16 10.9				
8d	Studs	16	24	32	40	48	UNI 5911 - M16 x 40 - 10.9				
9	Filter	2	3	4	5	6	See order table LMP 9513F1.....PO* page 85				
-	Filter spare parts item 9	2	3	4	5	6	See table spare parts LMP 9513F1.....PO* page 84				
-	Filter seals kit item 9	2	3	4	5	6	See table spare parts - NBR 02050367 LMP 9513F1.....PO* page 84 - FPM 02050368				
-	Indicators	1					See order table				

Ordering information LMP 952 - 956

Filter assembly LMP

	1	2	3	4	5	6	7	8a
	<input type="checkbox"/>	<input type="checkbox"/>	<input type="checkbox"/>	<input type="checkbox"/>	<input type="checkbox"/>	<input type="checkbox"/>	<input type="checkbox"/>	<input type="checkbox"/>
Example: LMP	953	3	B	A	FB	A10	N	P01

Filter element CU950

	2	6	4	7	8b
	<input type="checkbox"/>	<input type="checkbox"/>	<input type="checkbox"/>	<input type="checkbox"/>	<input type="checkbox"/>
Example: CU950	3	A10	A	N	P01 (3 cartridges required)

1 - Style

Filter

952
953
954
955
956

Filter element

950 - 3	2 filter element
950 - 3	3 filter element
950 - 3	4 filter element
950 - 3	5 filter element
950 - 3	6 filter element

6 - Filter element

A01	Inorganic microfibre* 1 µ	} Absolute filtration βx (c) ≥ 1000
A03	Inorganic microfibre 3 µ	
A06	Inorganic microfibre 6 µ	
A10	Inorganic microfibre 10 µ	
A16	Inorganic microfibre 16 µ	
A25	Inorganic microfibre 25 µ	

* On request

M25	Wire mesh	} Nominal Filtration
M60	Wire mesh	
M90	Wire mesh	

2 - Filter length

3

3 - Valve

S	Without by-pass
B	With bypass
<input type="checkbox"/>	With by-pass Opening pressure: on request

4 - Filter seals

A	NBR
V	FPM
<input type="checkbox"/>	On request

5 - Connections

Standard	Rapid discharge oil drain	
FA	GA	EA
FB	GB	EB
FC	GC	EC
FD	GD	ED

See page 89

See page 93

7 - Max filter element differential pressure

N	Δp 20 bar
----------	-----------

8 - Option

a - Filter

P01	MP Filtri standard
P02	With internal tube for reduced flow rate
Pxx	Customer request

b - Filter element

P01	MP Filtri standard
Pxx	Customer request

Option:

Flange with rapid discharge oil drain plug

See page 93

CMV4	Plug G 1 1/4"
CUV4	Plug SAE 20

DIFFERENTIAL INDICATORS (see page 120)

MP Filtri - The filter functions as described in this bulletin are valid exclusively for original MP Filtri filter elements and replacement parts. All rights reserved

The data in this publication are purely guideline. MP Filtri reserves the right to make changes to the models described herein at any time it deems fit in relation to technical or commercial requirements. The colours of the products shown on the cover are purely guideline. Copyright. All rights reserved.