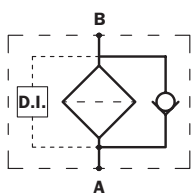
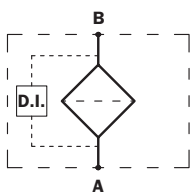


LMP 950 - 951



Style S

Style B



Maximum pressure 30 bar
Flow rates to 2400 l/min

Filter housing (Materials)

- Head: Anodised Aluminium
- Housing: Anodised Aluminium
- Bypass valve: Anodised Aluminium

Pressure

- Working pressure: 30 bar (3 MPa)
- Test pressure: 45 bar (4.5 MPa)
- Burst pressure: 120 bar (12 MPa)
- Pulsed pressure fatigue test: 1.000.000 cycles with pressure from 0 to 30 bar (3 MPa)

Temperature

- From -25 °C to +110 °C

Bypass valve

- Opening pressure 3.5 bar \pm 10%
- Other opening pressures on request.

Δp Elements type

- Series N elements: 20 bar
- Oil flow from exterior to interior.

Seals

- Standard NBR series A
- Optional FPM series V

Weights (kg)

Length

- LMP950 -2 25,1
- LMP950 -3 33,5

Volumes (dm³)

Length

- LMP950 -2 15
- LMP950 -3 28

Connection

In-Line Inlet-Outlet LMP 950

90° Inlet-Outlet LMP 951

Compatibility (to ISO 2943)

- Housings compatible with: Mineral oils, synthetic fluids, aqueous emulsions, water and glycol
- The filter elements are compatible with: Mineral oils, synthetic fluids, aqueous emulsions, water and glycol.
- NBR seals series A, compatible with: Mineral oils, synthetic fluids, aqueous emulsions and water and glycol.
- FPM seals series V, compatible with: Synthetic fluids type HS-HFDR-HFDS-HFDU

Filter Element Area

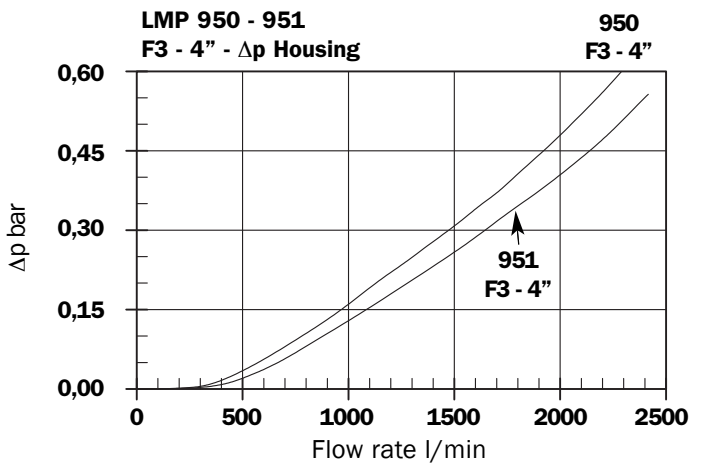
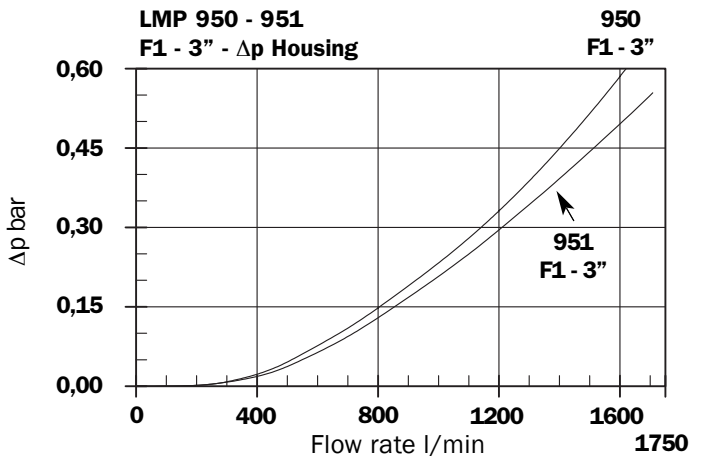
Filter element in stainless steel mesh

Type	Length	
	2	3
CU 900	10950	25100
Values expressed in cm ²		

Filter housing Δp pressure drop

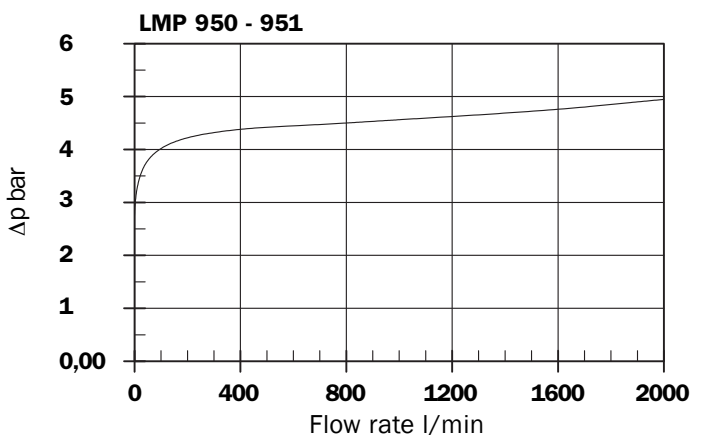
The curves are plotted utilising mineral oil with density of 0.86 kg/dm³ to ISO 3968.

Δp varies proportionally with density.



Valves

Bypass valve pressure drop



Option P02 for LMP 950 - 951



Option P02 "Internal tube for reduced flow rate" recommended for flow rate values below 100/150 l/min. The use of option P02 makes it easier to fill the housing with the operating fluid.

P02 "Internal tube for reduced flow rates"

Recommended maximum flow rate

Recommended maximum flow rate for filters installed on lubrication lines, return or in-line filters is defined by the maximum oil velocity in the connections. For filters mounted on Off-Line lines the maximum recommended flow rate is defined by the pressure drop of the filter element.

Filter for pressurised lubrication, max. oil velocity 2.5 m/sec.
Return or in-line filter, max oil velocity 5 m/sec.

Oil velocity	Connections	
	3"	4"
2,5 m/sec.	750	1200
5 m/sec.	1500	2400

Flow rate l/min

Off-Line filter, filter element recommended maximum pressure drop must be equal to Δp 0.2 ÷ 0.3 bar.

Recommended maximum flow rate

- Pressure drop of filter assembly equal to Δp 0.6 bar.
- Oil kinematic viscosity 30 mm²/s (cSt).
- Density 0.86 kg/dm³.

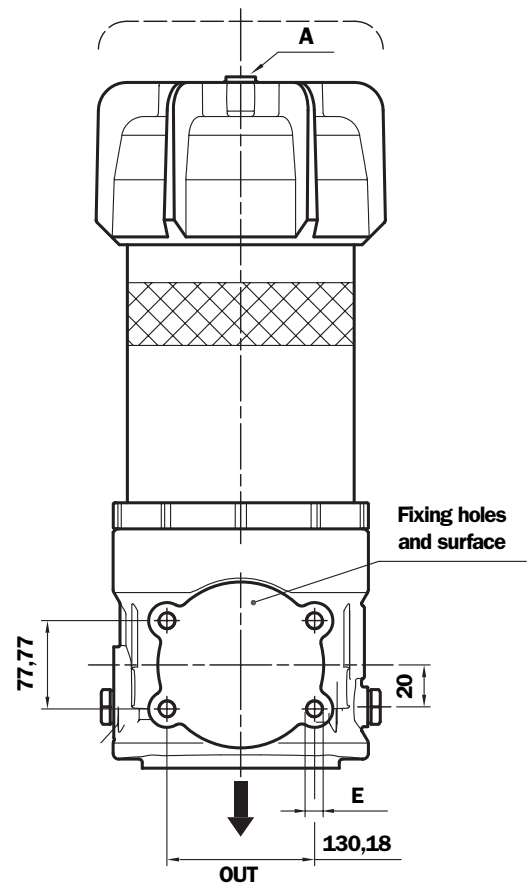
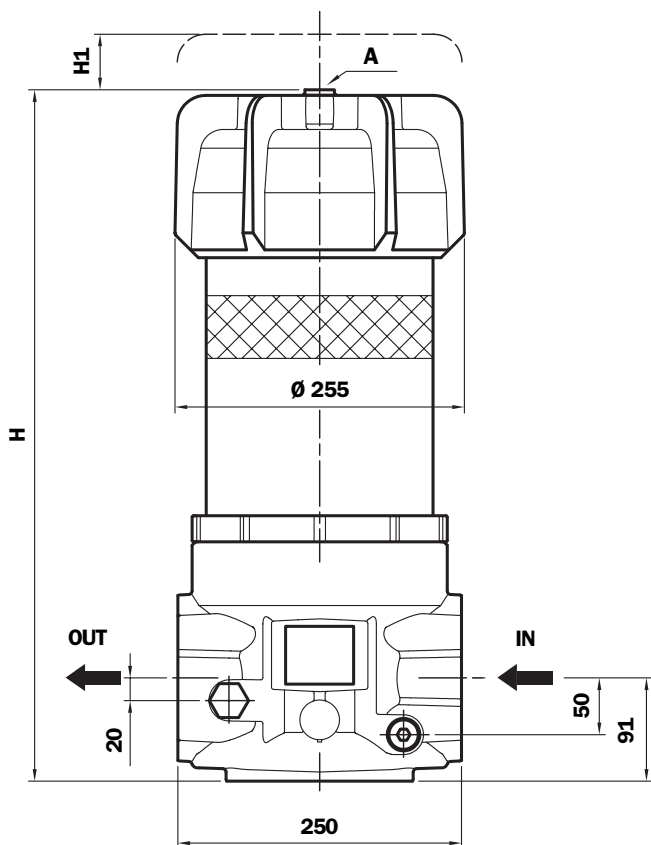
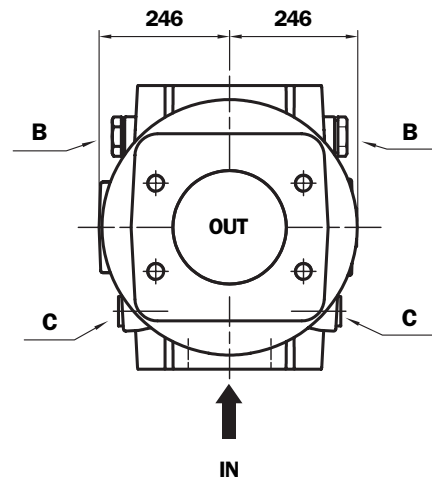
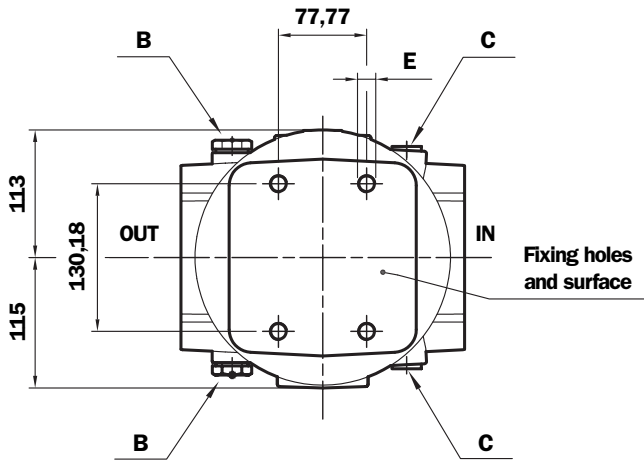
Filtration

	Length	A03	A06	A10	A16	A25	M25
LMP 950	2	550	650	800	1000	1200	1700
Connection: Flange SAE 3000 3"	3	950	1000	1200	1350	1400	1700
LMP 951	2	550	700	850	1100	1400	2300
Connection: Flange SAE 3000 4"	3	1000	1100	1400	1600	1800	2400

Flow rate l/min

LMP 950

LMP 951



LMP 950 - 951

Length Filter	H mm	H1 mm
2	680	350
3	1230	900

A - Breather plug - G 1/2" - A/F 10

B - Indicator port - Plug T2 - A/F 30

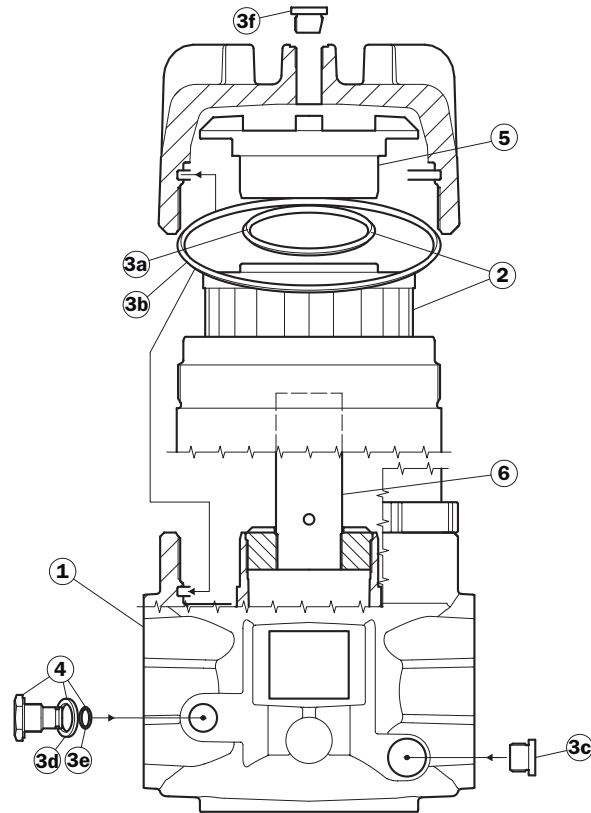
C - Oil drain plug - G 1/2" - A/F 10

Flanged IN - OUT connections

St.	A	E Depth 25 mm
F1	3" SAE - 3000 psi/M	M16
F2	3" SAE - 3000 psi/UNC	M16
F3	4" SAE - 3000 psi/M	5/8" UNC
F4	4" SAE - 3000 psi/UNC	5/8" UNC

Spare parts

Length 2 - 3



Item	Description	Q.ty	FILTER Series LMP 950 - 951	
1	Filter assembly	1	See order table	
2	Filter Element	1	See order table	
3	Seals kit	1	NBR 02050367	FPM 02050368
3a	Filter element O-Ring	2	O-R 4412 Ø 104,37 x 3,53	
3b	O-Ring for housing	2	O-R 6745 Ø 189,86 x 5,33	
3c	Oil drain plug	2	G 1/2" with seal	
3d	Seal for indicator	2	01030058	01030046
3e	O-Ring for indicator	2	O-R 2050 Ø 12,42 x 1,78	
3f	Air breather plug	1	01029444	
4	Indicator connection plug	2	T2H	T2V
5	Housing spigot	1	Spigot without By-pass 01044106 Spigot with By-pass 02001379	
6	Tube assembly	1	For length 2: 02025032 For length 3: 02025033	
-	Indicators	1	See order table	

Ordering information LMP 950 - 951

Filter assembly LMP

	1	2	3	4	5	6	7	8a
	<input type="checkbox"/>	<input type="checkbox"/>	<input type="checkbox"/>	<input type="checkbox"/>	<input type="checkbox"/>	<input type="checkbox"/>	<input type="checkbox"/>	<input type="checkbox"/>
Example: LMP	950	2	B	A	F1	A10	N	P01

Filter element CU950

	2	6	4	7	8b
	<input type="checkbox"/>	<input type="checkbox"/>	<input type="checkbox"/>	<input type="checkbox"/>	<input type="checkbox"/>
Example: CU950	2	A10	A	N	P01

1 - Style

Filter

950
 951

Filter element

950 In-Line IN-OUT
 950 90° IN-OUT

2 - Filter length

2
 3

3 - Valve

S Without by-pass
 B With bypass
 Without by-pass
Opening pressure: on request

4 - Filter seals

A NBR
 V FPM
 On request

5 - Connections

Flanged

Type	LMP 950 - 951
F1	3" SAE 3000 psi/M
F2	3" SAE 3000 psi/UNC
F3	4" SAE 3000 psi/M
F4	4" SAE 3000 psi/UNC

6 - Filter element

<input type="checkbox"/> A01	Inorganic microfibre* 1 µ	} Absolute filtration βx (c) ≥ 1000
<input type="checkbox"/> A03	Inorganic microfibre 3 µ	
<input type="checkbox"/> A06	Inorganic microfibre 6 µ	
<input type="checkbox"/> A10	Inorganic microfibre 10 µ	
<input type="checkbox"/> A16	Inorganic microfibre 16 µ	
<input type="checkbox"/> A25	Inorganic microfibre 25 µ	

* On request

<input type="checkbox"/> M25	Wire mesh	} Nominal Filtration
<input type="checkbox"/> M60	Wire mesh	
<input type="checkbox"/> M90	Wire mesh	

7 - Max filter element differential pressure

N Δp 20 bar

8 - Option

a - Filter

P01 MP Filtri standard
 P02 With internal tube for reduced flow rate
 Pxx Customer request

b - Filter element

P01 MP Filtri standard
 Pxx Customer request

DIFFERENTIAL INDICATORS (see page 120)

MP Filtri - The filter functions as described in this bulletin are valid exclusively for original MP Filtri filter elements and replacement parts. All rights reserved

The data in this publication are purely guideline. MP Filtri reserves the right to make changes to the models described herein at any time it deems fit in relation to technical or commercial requirements. The colours of the products shown on the cover are purely guideline. Copyright. All rights reserved.