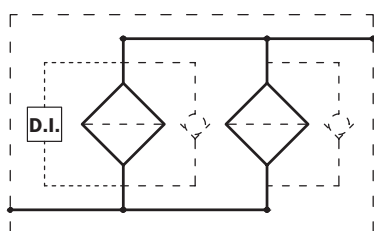


LMP 902 - 903

Filter element in according to DIN 24550



LMP 902 - 903
Mounting on manifold



Maximum pressure 25 bar
Flow rates to 3000 l/min

Filter housing (Materials)

- Head: Anodised Aluminium
- Housing: Anodised Aluminium
- Manifolds: Welded - Phosphated Steel
- Bypass valve: Steel
- 1000 size filter elements complying with DIN 24550 standard

Pressure

- Working pressure: 25 bar (2.5 MPa)
- Test pressure: 35 bar (3.5 MPa)

Temperature

- From -25 °C to +110 °C

Bypass valve

- Opening pressure 3.5 bar ±10%
- Other opening pressures on request.

Number of filter elements

- LMP 902: 4 filter elements CU900
- LMP 903: 6 filter elements CU900

Filter elements

- Filter element in compliance with DIN 24550 standard
- Size: 1000

Δp Elements type

- Series N elements: 20 bar
- Oil flow from exterior to interior.

Seals

- Standard NBR series A
- Optional FPM series V

Weights (kg)

Length

- LMP902 89.6
- LMP903 129.2

Volumes (dm³)

Length

- LMP902 58
- LMP903 87

Connections

In-Line Inlet-Outlet

Compatibility (to ISO 2943)

- Housings compatible with:
Mineral oils, synthetic fluids,
aqueous emulsions, water and glycol
- The filter elements are compatible with:
Mineral oils, synthetic fluids,
aqueous emulsions, water and glycol.
- NBR seals series A, compatible with:
Mineral oils, synthetic fluids, aqueous emulsions and
water and glycol.
- FPM seals series V, compatible with:
Synthetic fluids type HS-HFDR-HFDS-HFDU

Filter Element Area

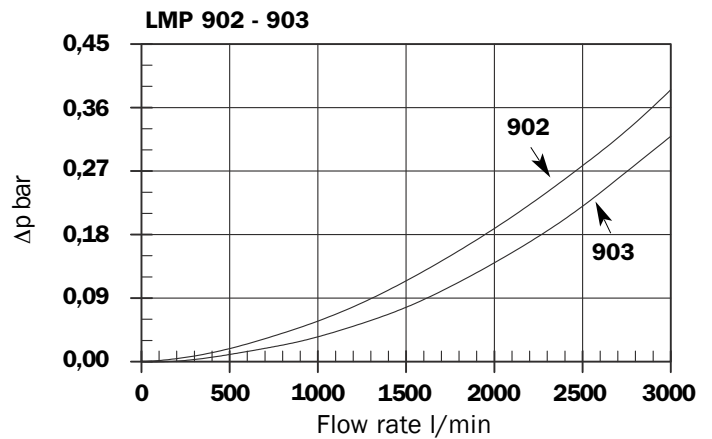
Filter element in stainless steel mesh

Type	Length	
	902	903
CU 900	52000	78000
Values expressed in cm ²		

Filter housing Δp pressure drop

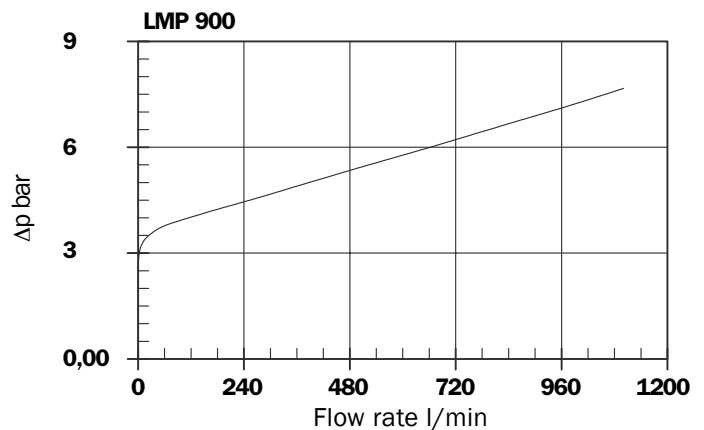
The curves are plotted utilising mineral oil with density of 0.86 kg/dm³ to ISO 3968.

Δp varies proportionally with density.



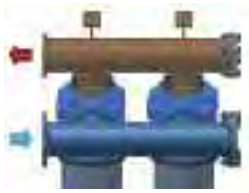
Valves

Bypass valve pressure drop



Manifolds

Position of manifolds IN - OUT connections



FA



FB



FC



FD

Recommended maximum flow rate

Recommended maximum flow rate for filters installed on lubrication lines, return or in-line filters is defined by the maximum oil velocity in the connections.

For filters mounted on Off-Line lines the maximum recommended flow rate is defined by the pressure drop of the filter element.

Filter for pressurised lubrication, max. oil velocity 2.5 m/sec.
Return or in-line filter, max oil velocity 5 m/sec.

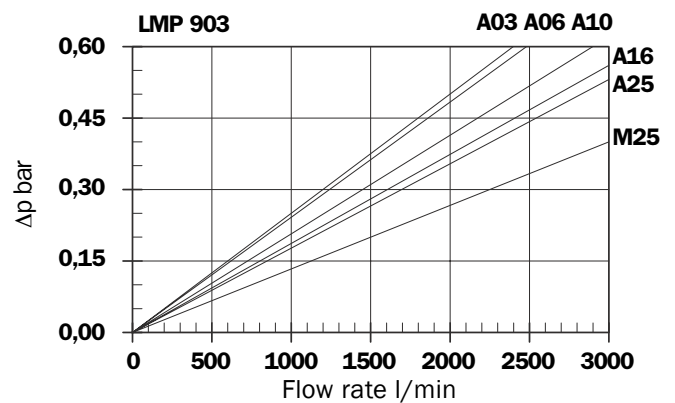
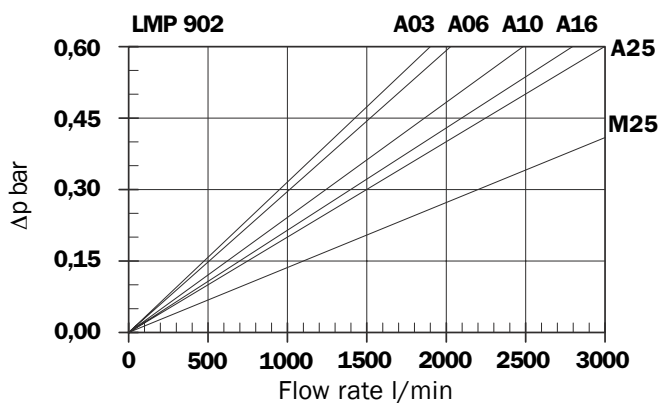
Oil velocity	Connections
	4"
2,5 m/sec.	1200
5 m/sec.	2400

Flow rate l/min

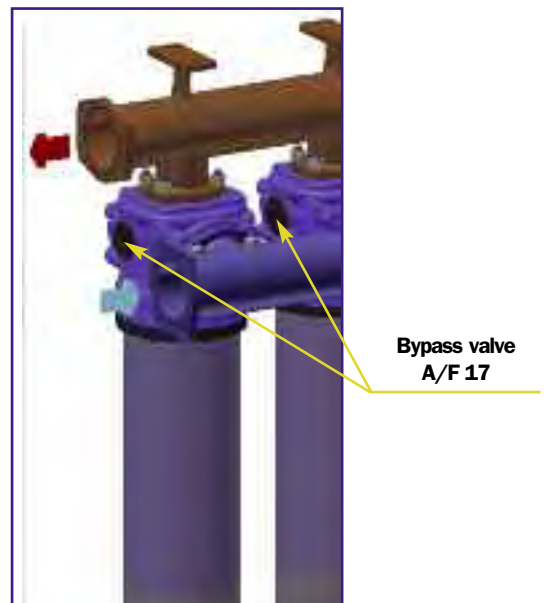
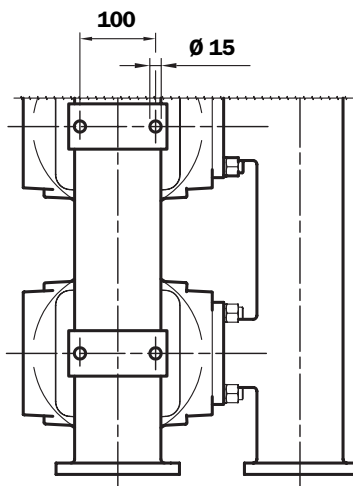
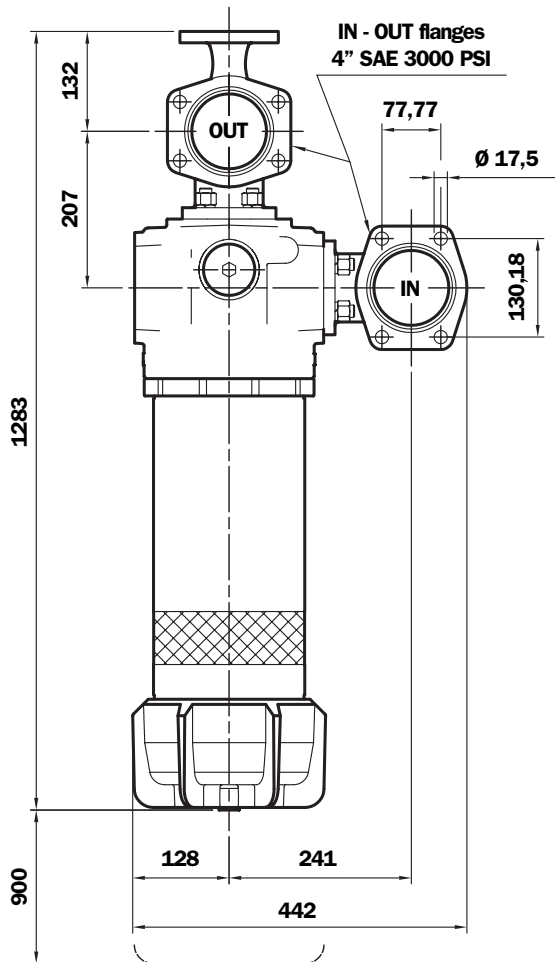
Off-Line filter, filter element recommended maximum pressure drop must be equal to Δp 0.2 ÷ 0.3 bar.

Recommended maximum flow rate

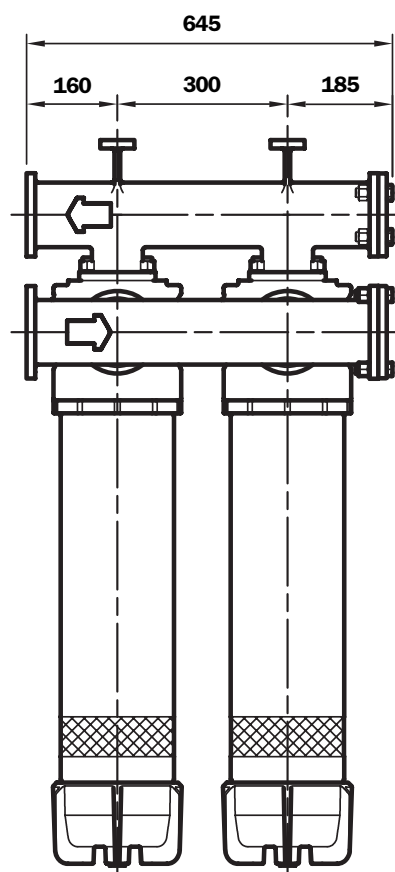
- Pressure drop of filter assembly equal to Δp 0.6 bar.
- Oil kinematic viscosity 30 mm²/s (cSt).
- Density 0.86 kg/dm³.
- Connections of filter under test G 4".



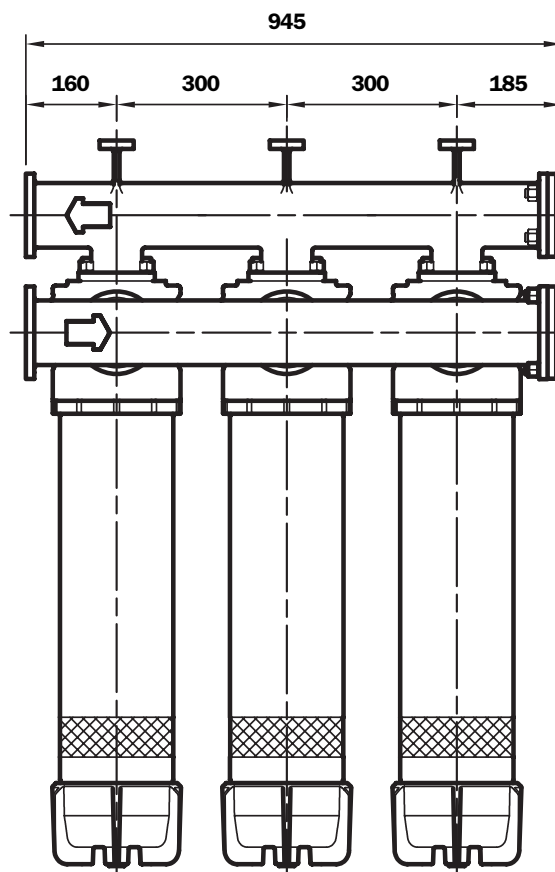
LMP 902 - 903



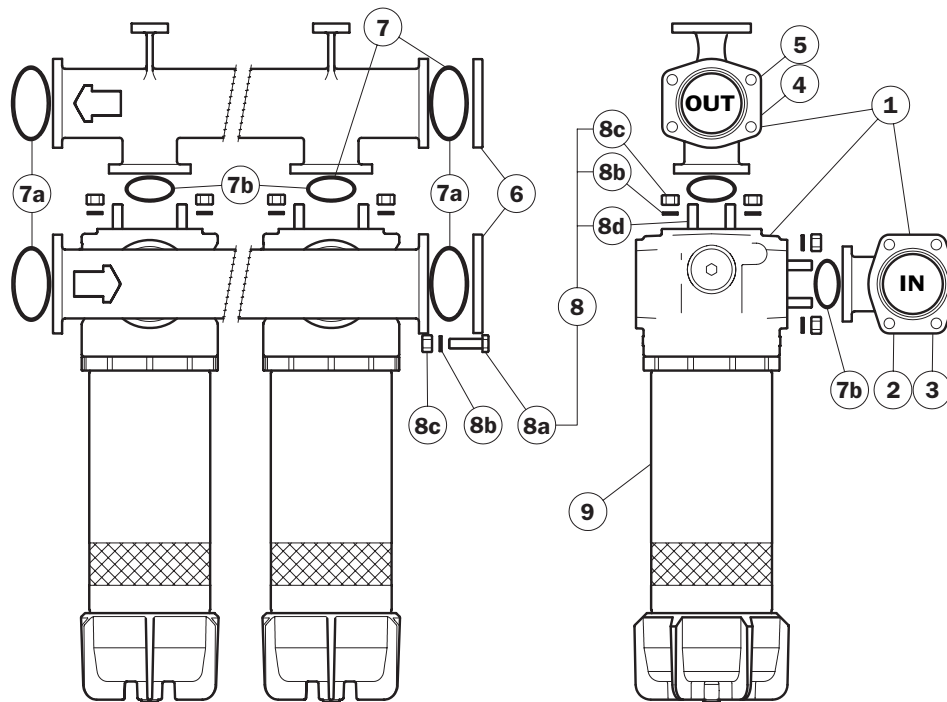
LMP 902



LMP 903



Spare parts



Item	Description	Q.ty - LMP 90*		FILTER Series	
		*2	*3	LMP 902 - 903	
1	Filter assembly	1	1	See order table	
2	IN manifold with 2 filter connections	1	-	01039270	
3	IN manifold with 3 filter connections	-	1	01039272	
4	OUT manifold with 2 filter connections	1	-	01039271	
5	OUT manifold with 3 filter connections	-	1	01039273	
6	4" SAE 3000 psi plugged flange	2	2	01042020	
7	Manifolds seal kit	1	1	NBR 020503404	FPM 02050405
7a	IN-OUT O-Ring	4	4	O-R 4437 Ø 110.7 x 3.53	
7b	Manifolds/filter O-Ring	4	6	O-R 4337 Ø 85.32 x 3.53	
8	Threaded fasteners kit	1	1	LMP902 - 02049051 LMP903 - 02049052	
8a	Hexagon bolt screws	8	8	UNI-EN 24017 M16 x 55-10.9	
8b	Spring washers	24	32	UNI 1751 - B16	
8c	Nuts	24	32	UNI-EN 24032-M16-10.9	
8d	Studs	16	24	M16 x 40 - 10.9	
9	Filter	2	3	See order table LMP 9012F1.....P02 page 71	
-	Filter spare parts Item 9	2	3	See table spare parts LMP 9012F1.....P02 page 70	
-	Filter seals kit Item 9	2	3	See table spare parts LMP 9012F1.....P02 page 70	
-	Indicators	1	1	See order table	

Ordering information LMP 902 - 903

Filter assembly LMP

	1	2	3	4	5	6	7	8
	<input type="checkbox"/>	<input type="checkbox"/>	<input type="checkbox"/>	<input type="checkbox"/>	<input type="checkbox"/>	<input type="checkbox"/>	<input type="checkbox"/>	<input type="checkbox"/>
Example: LMP	903	2	B	A	FB	A10	N	P01

Filter element CU900

	6	4	7	8
	<input type="checkbox"/>	<input type="checkbox"/>	<input type="checkbox"/>	<input type="checkbox"/>
Example: CU900	A10	A	N	P01 (6 cartridges required)

1 - Style

Filter

902
 903

Filter element

900 With 4 cartridges
 900 With 6 cartridges

2 - Filter length

2

3 - Valve

S Without by-pass
 B With bypass
 With by-pass
Opening pressure: on request

4 - Filter seals

A NBR
 V FPM
 On request

5 - Connections

Type	LMP 902 - 903
FA	See page 74
FB	
FC	
FD	

6 - Filter element

<input type="checkbox"/> A01	Inorganic microfibre* 1 µ	}	Absolute filtration βx (c) ≥ 1000
<input type="checkbox"/> A03	Inorganic microfibre 3 µ		
<input type="checkbox"/> A06	Inorganic microfibre 6 µ		
<input type="checkbox"/> A10	Inorganic microfibre 10 µ		
<input type="checkbox"/> A16	Inorganic microfibre 16 µ		
<input type="checkbox"/> A25	Inorganic microfibre 25 µ		

* On request

<input type="checkbox"/> M25	Wire mesh	}	Nominal Filtration
<input type="checkbox"/> M60	Wire mesh		
<input type="checkbox"/> M90	Wire mesh		

7 - Max filter element differential pressure

N Δp 20 bar

8 - Option

P01 MP Filtri standard
 Pxx Customer request

DIFFERENTIAL INDICATORS (see page 120)

MP Filtri - The filter functions as described in this bulletin are valid exclusively for original MP Filtri filter elements and replacement parts. All rights reserved

The data in this publication are purely guideline. MP Filtri reserves the right to make changes to the models described herein at any time it deems fit in relation to technical or commercial requirements. The colours of the products shown on the cover are purely guideline. Copyright. All rights reserved.