

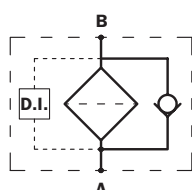
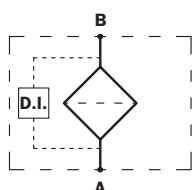
LMP 900 - 901

Filter element in according to DIN 24550



Style S

Style B



Maximum pressure 30 bar
Flow rates to 2000 l/min

Filter housing (Materials)

- Head: Anodised Aluminium
- Housing: Anodised Aluminium
- Manifolds: Anodised Aluminium
- Bypass valve: Steel

Pressure

- Working pressure: 30 bar (3 MPa)
- Test pressure: 45 bar (4.5 MPa)
- Burst pressure: 120 bar (12 MPa)
- Pulsed pressure fatigue test: 1.000.000 cycles with pressure from 0 to 30 bar (3 MPa)

Temperature

- From -25 °C to +110 °C

Bypass valve

- Opening pressure 3.5 bar \pm 10%
- Other opening pressures on request.

Number of filter elements

- LMP 900-1: 1 filter element CU900
- LMP 900-2: 2 filter elements CU900

Filter elements

- Filter element in according to with DIN 24550
- Size: 1000

Δp Elements type

- Series N elements: 20 bar
- Oil flow from exterior to interior.

Seals

- Standard NBR series A
- Optional FPM series V

Weights (kg)

Length

- LMP900 -1 19.2
- LMP900 -2 30.4

Volumes (dm³)

Length

- LMP900 -1 16
- LMP900 -2 24

Connections

In-Line Inlet-Outlet LMP 900

90° Inlet-Outlet LMP 901

Compatibility (to ISO 2943)

- Housings compatible with: Mineral oils, synthetic fluids, aqueous emulsions, water and glycol.
- The filter elements are compatible with: Mineral oils, synthetic fluids, aqueous emulsions, water and glycol.
- NBR seals series A, compatible with: Mineral oils, synthetic fluids, aqueous emulsions and water and glycol.
- FPM seals series V, compatible with: Synthetic fluids type HS-HFDR-HFDS-HFDU

Filter Element Area

Filter element in stainless steel mesh

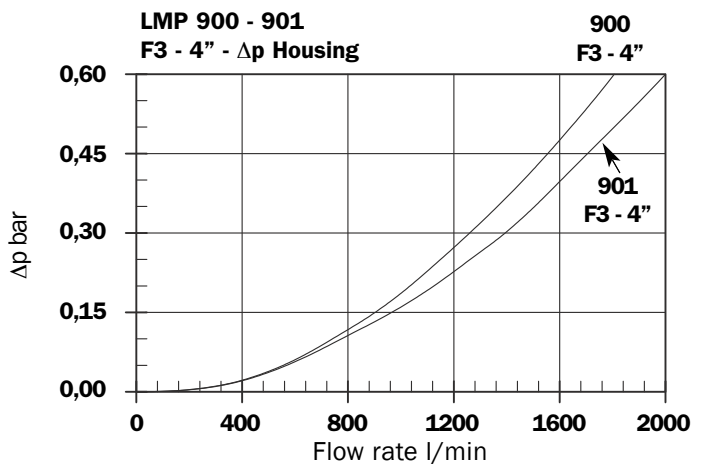
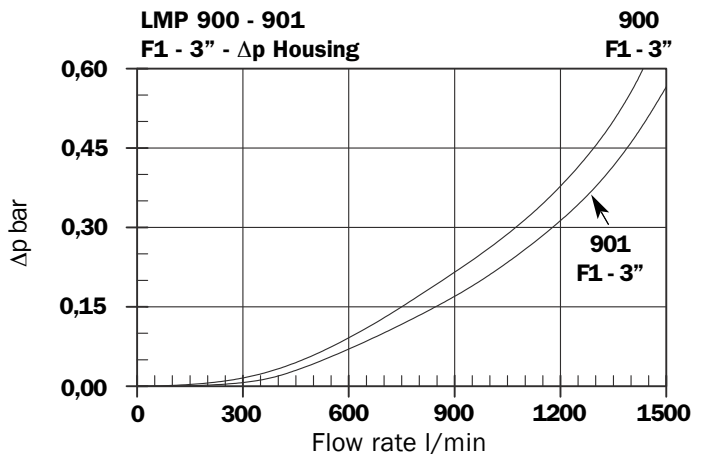
Type	Length	
	1	2
CU 900	13000	26000

Values expressed in cm²

Filter housing Δp pressure drop

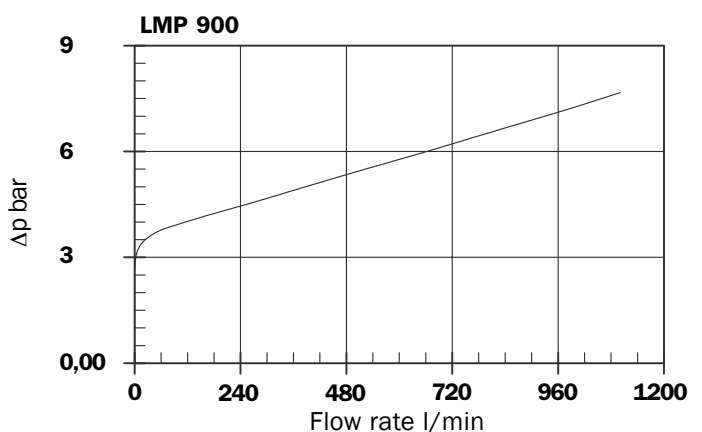
The curves are plotted utilising mineral oil with density of 0.86 kg/dm³ to ISO 3968.

Δp varies proportionally with density.



Valves

Bypass valve pressure drop



LMP 900



LMP 900 - 901 filters are equipped with two 1000 size cartridges in compliance with DIN 24550 standard, connected by means of a removable coupling spigot.

Coupling spigot

Recommended maximum flow rate

Recommended maximum flow rate for filters installed on lubrication lines, return or in-line filters is defined by the maximum oil velocity in the connections.

For filters mounted on Off-Line lines the maximum recommended flow rate is defined by the pressure drop of the filter element.

Filter for pressurised lubrication, max. oil velocity 2.5 m/sec.
Return or in-line filter, max oil velocity 5 m/sec.

Oil velocity	Connections	
	3"	4"
2,5 m/sec.	750	1200
5 m/sec.	1500	2400

Flow rate l/min

Off-Line filter, filter element recommended maximum pressure drop must be equal to Δp 0.2 ÷ 0.3 bar.

Recommended maximum flow rate

- Pressure drop of filter assembly equal to Δp 0.6 bar.
- Oil kinematic viscosity 30 mm²/s (cSt).
- Density 0.86 kg/dm³.

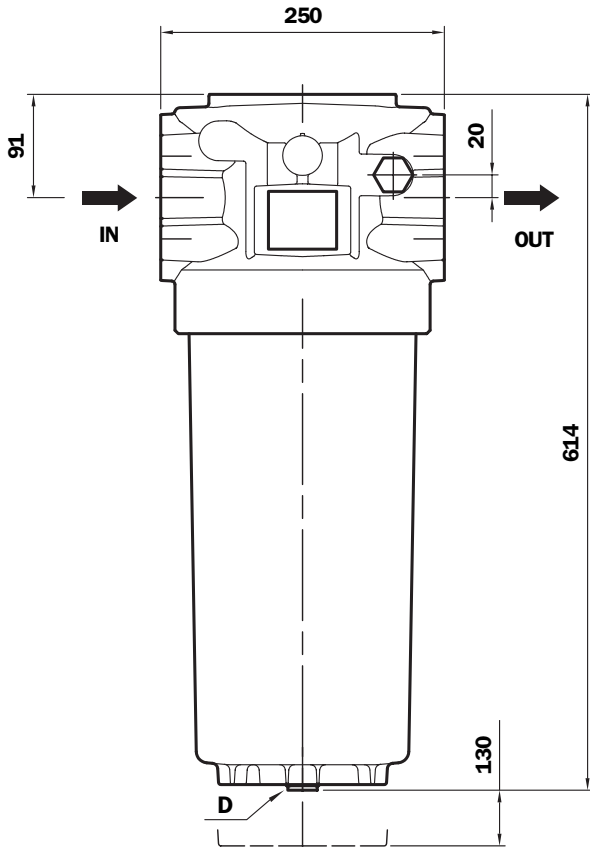
Filtration

	Length	A03	A06	A10	A16	A25	M25
LMP 900	1	600	750	1100	1150	1250	1500
Connection: Flange SAE 3000 3"	2	950	1100	1300	1350	1400	1500
LMP 900	1	650	800	1200	1250	1400	1900
Connection: Flange SAE 3000 4"	2	1000	1200	1550	1550	1650	2000

Flow rate l/min

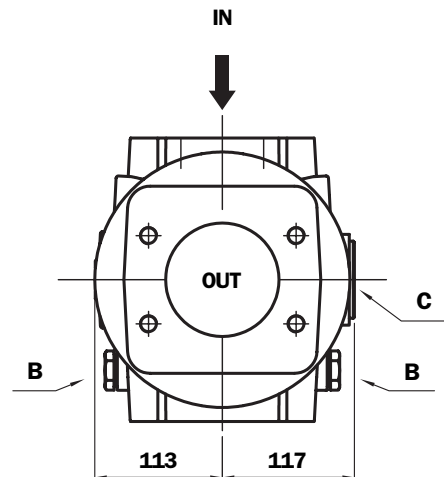
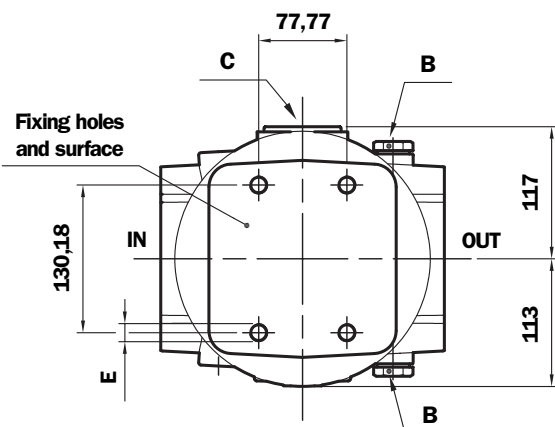
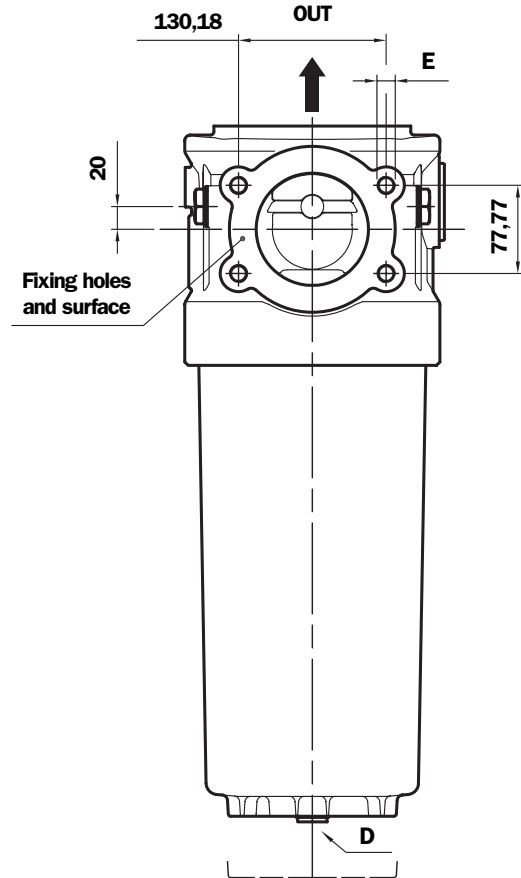
LMP 900

Length 1



LMP 901

Length 1



B - Indicator port - Plug T2 - A/F 30

C - Bypass valve - A/F 17

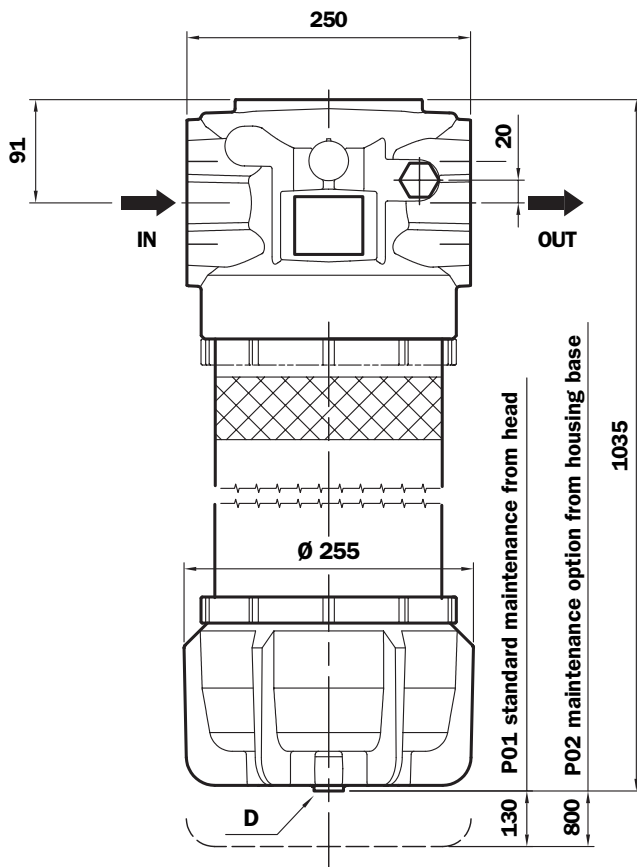
D - Oil drain plug - G 1/2" - A/F 8

Flanged IN - OUT connections

St.	A	E Depth 25 mm
F1	3" SAE - 3000 psi/M	M16
F2	3" SAE - 3000 psi/UNC	M16
F3	4" SAE - 3000 psi/M	5/8" UNC
F4	4" SAE - 3000 psi/UNC	5/8" UNC

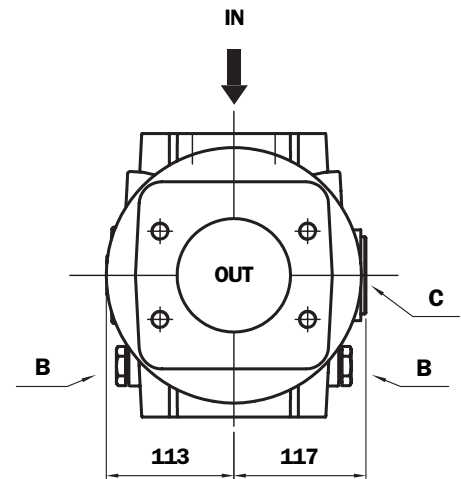
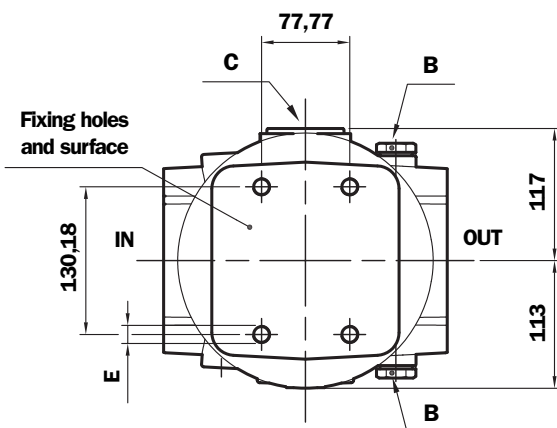
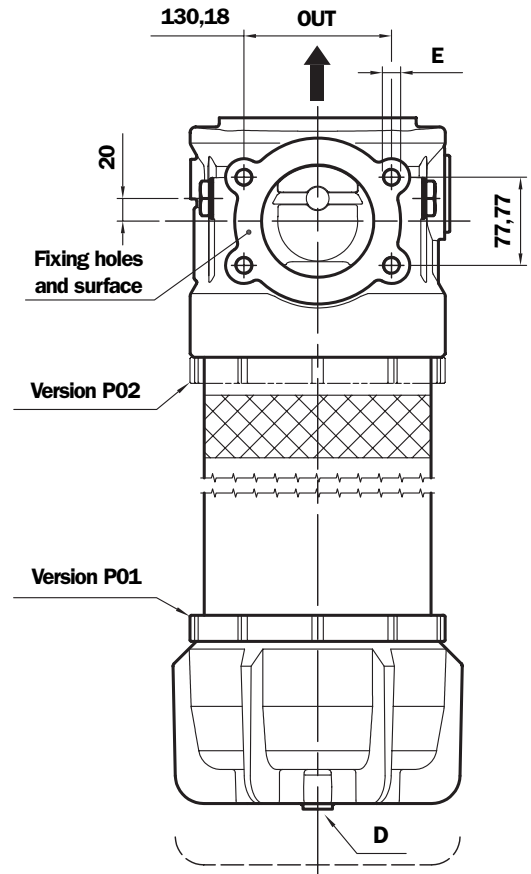
LMP 900

Length 2



LMP 901

Length 2



Flanged IN - OUT connections

St.	A	E Depth 25 mm
F1	3" SAE - 3000 psi/M	M16
F2	3" SAE - 3000 psi/UNC	M16
F3	4" SAE - 3000 psi/M	5/8" UNC
F4	4" SAE - 3000 psi/UNC	5/8" UNC

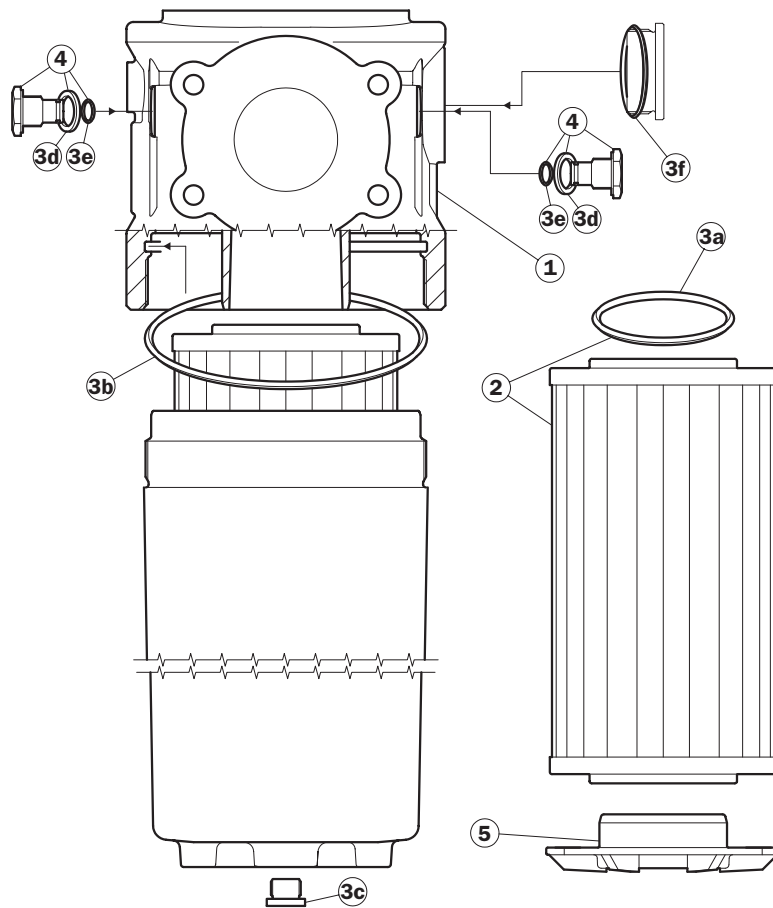
B - Indicator port - Plug T2 - A/F 30

C - Bypass valve - A/F 17

D - Oil drain plug - G 1/2" - A/F 8

Spare parts

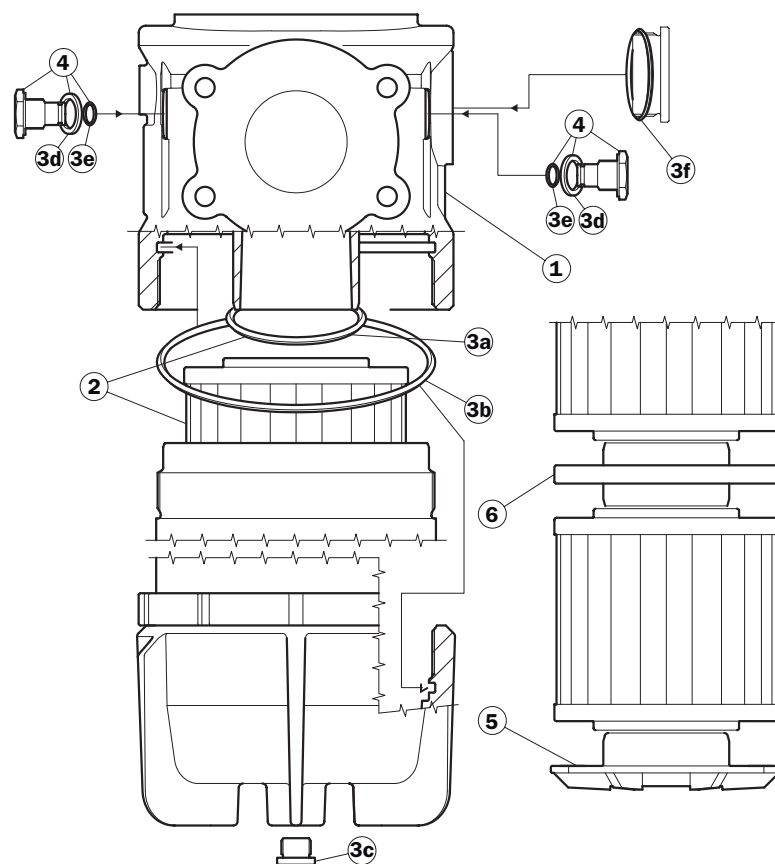
Length 1



Item	Description	Q.ty	FILTER Series LMP 900 - 901	
1	Filter assembly	1	See order table	
2	Filter Element	1	See order table	
3	Seals kit	1	NBR 02050363	FPM 02050364
3a	Filter element O-Ring	2	O-R 185 Ø 89,69 x 5,33	
3b	O-Ring for housing	1	O-R 6745 Ø 189,86 x 5,34	
3c	Oil drain plug	1	G 1/2" with seal	
3d	Seal for indicator	2	01030058	01030046
3e	O-Ring for indicator	2	O-R 2050 Ø 12,42 x 1,78	
3f	By-pass plug O-Ring	1	O-R 3243 Ø 61,6 x 2,62	
4	Indicator connection plug	2	T2H	T2V
5	Housing spigot	1	01044104	
-	Indicators	1	See order table	

Spare parts

Length 2



Item	Description	Q.ty	FILTER Series LMP 900 - 901	
1	Filter assembly	1	See order table	
2	Filter Element	2	See order table	
3	Seals kit	1	NBR 02050365	FPM 02050366
3a	Filter element O-Ring	4	O-R 185 Ø 89,69 x 5,33	
3b	O-Ring for housing	2	O-R 6745 Ø 189,86 x 5,34	
3c	Oil drain plug	1	G 1/2" with seal	
3d	Seal for indicator	2	01030058	01030046
3e	O-Ring for indicator	2	O-R 2050 Ø 12,42 x 1,78	
3f	By-pass plug O-Ring	1	O-R 3243 Ø 61,6 x 2,62	
4	Indicator connection plug	2	T2H	T2V
5	Housing spigot	1	01044104	
6	Coupling spigot	1	01044099	
-	Indicators	1	See order table	

Ordering information LMP 900 - 901

Filter assembly LMP

	1	2	3	4	5	6	7	8a
	<input type="checkbox"/>	<input type="checkbox"/>	<input type="checkbox"/>	<input type="checkbox"/>	<input type="checkbox"/>	<input type="checkbox"/>	<input type="checkbox"/>	<input type="checkbox"/>
Example: LMP	900	2	B	A	F1	A10	N	P01

Filter element CU900

	6	4	7	8b
	<input type="checkbox"/>	<input type="checkbox"/>	<input type="checkbox"/>	<input type="checkbox"/>
Example: CU900	A10	A	N	P01 (2 cartridges required)

1 - Style

Filter	Filter element
<input type="checkbox"/> 900	<input type="checkbox"/> 900
<input type="checkbox"/> 901	<input type="checkbox"/> 900

2 - Filter length

<input type="checkbox"/> 1	With 1 CU 900 cartridge
<input type="checkbox"/> 2	With 2 CU 900 cartridges

3 - Valve

<input type="checkbox"/> S	Without by-pass
<input type="checkbox"/> B	With bypass
<input type="checkbox"/>	With by-pass Opening pressure: on request

4 - Filter seals

<input type="checkbox"/> A	NBR
<input type="checkbox"/> V	FPM
<input type="checkbox"/>	On request

5 - Connections

Flanged

Type	LMP 900 - 901
F1	3" SAE 3000 psi/M
F2	3" SAE 3000 psi/UNC
F3	4" SAE 3000 psi/M
F4	4" SAE 3000 psi/UNC

6 - Filter element

<input type="checkbox"/> A01	Inorganic microfibre* 1 µ	} Absolute filtration βx (c) ≥ 1000
<input type="checkbox"/> A03	Inorganic microfibre 3 µ	
<input type="checkbox"/> A06	Inorganic microfibre 6 µ	
<input type="checkbox"/> A10	Inorganic microfibre 10 µ	
<input type="checkbox"/> A16	Inorganic microfibre 16 µ	
<input type="checkbox"/> A25	Inorganic microfibre 25 µ	

* On request

<input type="checkbox"/> M25	Wire mesh	} Nominal Filtration
<input type="checkbox"/> M60	Wire mesh	
<input type="checkbox"/> M90	Wire mesh	

7 - Max filter element differential pressure

<input type="checkbox"/> N	Δp 20 bar
-----------------------------------	-----------

8 - Option

a - Filter

<input type="checkbox"/> P01	MP Filtri standard
<input type="checkbox"/> P02	LMP 900 - 901 Maintenance from base housing (length 2 only)
<input type="checkbox"/> Pxx	Customer request

b - Filter element

<input type="checkbox"/> P01	MP Filtri standard
<input type="checkbox"/> Pxx	Customer request

DIFFERENTIAL INDICATORS (see page 120)

MP Filtri - The filter functions as described in this bulletin are valid exclusively for original MP Filtri filter elements and replacement parts. All rights reserved

The data in this publication are purely guideline. MP Filtri reserves the right to make changes to the models described herein at any time it deems fit in relation to technical or commercial requirements. The colours of the products shown on the cover are purely guideline. Copyright. All rights reserved.