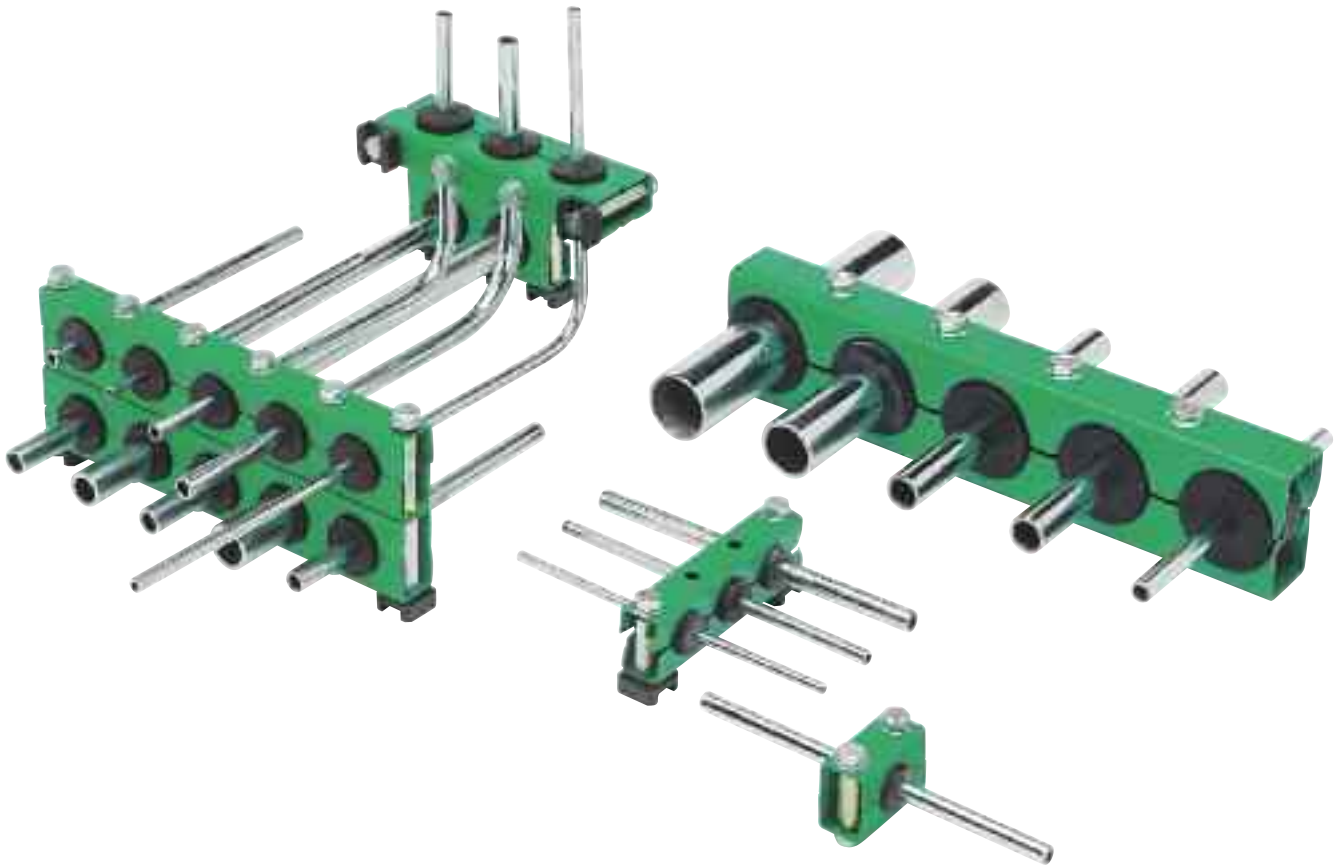


MULTIFIX

FIXING CLAMPS



MULTIFIX fixing clamps are particularly suitable when a series of pipelines must be installed requiring neat and high precision installation.

These brackets make it possible to install various pipelines of different types and diameters, rapidly, easily, and, more importantly, economically.

MULTIFIX clamps support, guide, and absorb impact and vibration, protecting the pipes and dispensing with the need for complex and unsightly mounting systems with angle clamps etc. An orderly layout facilitates maintenance resulting in significant savings in running costs; it also allows intuitive visual design of the plant, which can be assembled easily even without specialised labour.

Temperature

- from -25°C to +100°C

Compatibility

- NBR seals and Cork Gasket, compatible with:
Mineral oils to ISO 2943 - aqueous emulsions
Synthetic fluids, glycol water.

Series SFT

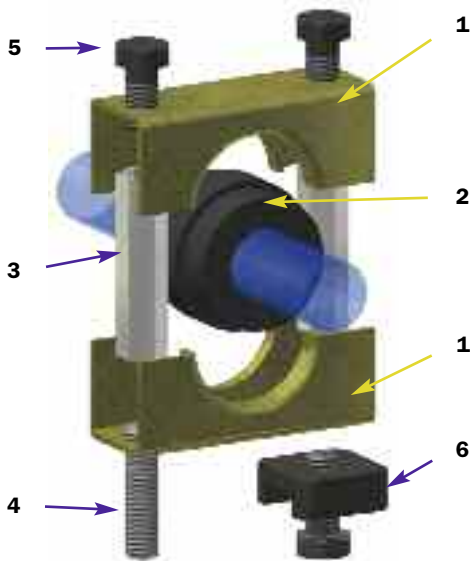
SFT Single

SFT (Materials)

- 1 - Pair of brackets: Galvanised Steel
- 2 - Bush: NBR
- 3 - Spacer: Steel
- 4 - Studs: Steel
- 5 - Screws: Steel
- 6 - Foot + screw: Steel

Ordering information Size

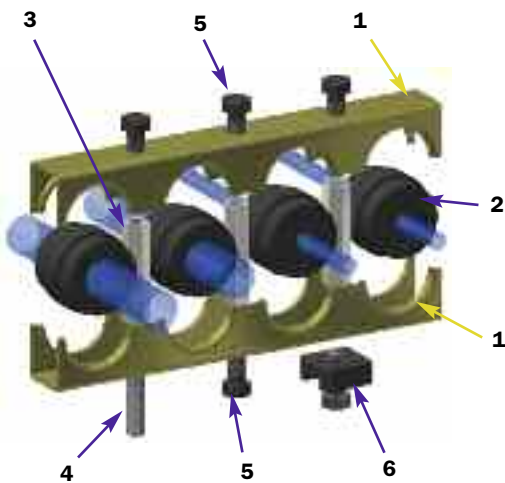
- 1 - SFT 38 - 51 - 78
- 2 - B 38 - 51 - 78
- 3 - D 38 - 51 - 78
- 4 - P 38 - 51 - 78
- 5 - Screws: Steel
- 6 - W 38 - 51 - 78



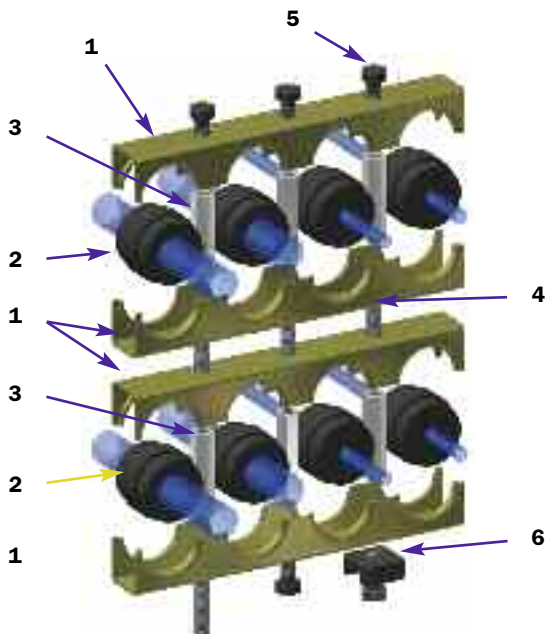
Fixing with threaded holes



Fixing with welded foot



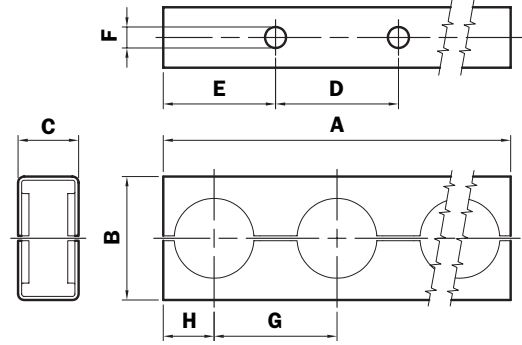
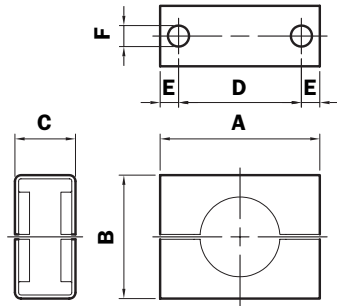
SFT Modular



SFT Modular and Stacked

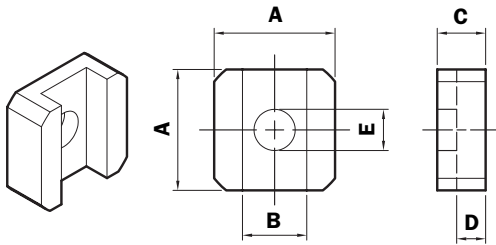


Dimensions

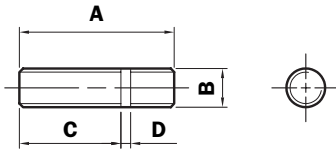


Ordering information	A	B	C	D	E	F	Weight (Kg)
SFT 38 1	56	38	25	38,1	9	8,7	0,07
SFT 51 1	66	51	25	50,8	7,5	8,7	0,09
SFT 78 1	95	78	41	76,2	9,5	11,1	0,34

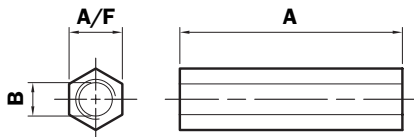
Ordering information	A	B	C	D	E	F	G	H	Weight (Kg)
SFT 38 26	982	38	25	38,1	34	8,7	38,1	15	1,04
SFT 51 19	956	51	25	50,8	47	8,7	50,8	21	1,25
SFT 78 16	1213	78	41	76,2	72	11,1	76,2	35	4,14



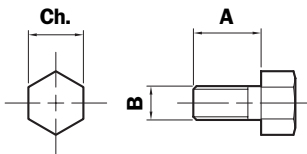
Foot	SFT 38/51	SFT 78
A	25	32
B	13,3	17,5
C	10	12
D	6	8
E	8,5	11



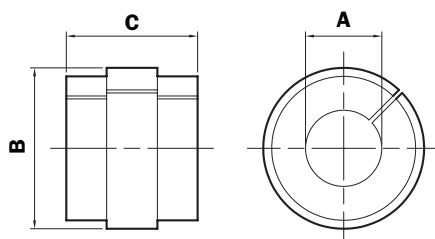
Stud	SFT 38/51	SFT 78
A	32	38
B	M8	M10
C	21	22
D	2	2



Spacer	SFT 38	SFT 51	SFT 78
A	33	46	72
B	M8	M8	M10
Ch.	11	11	13



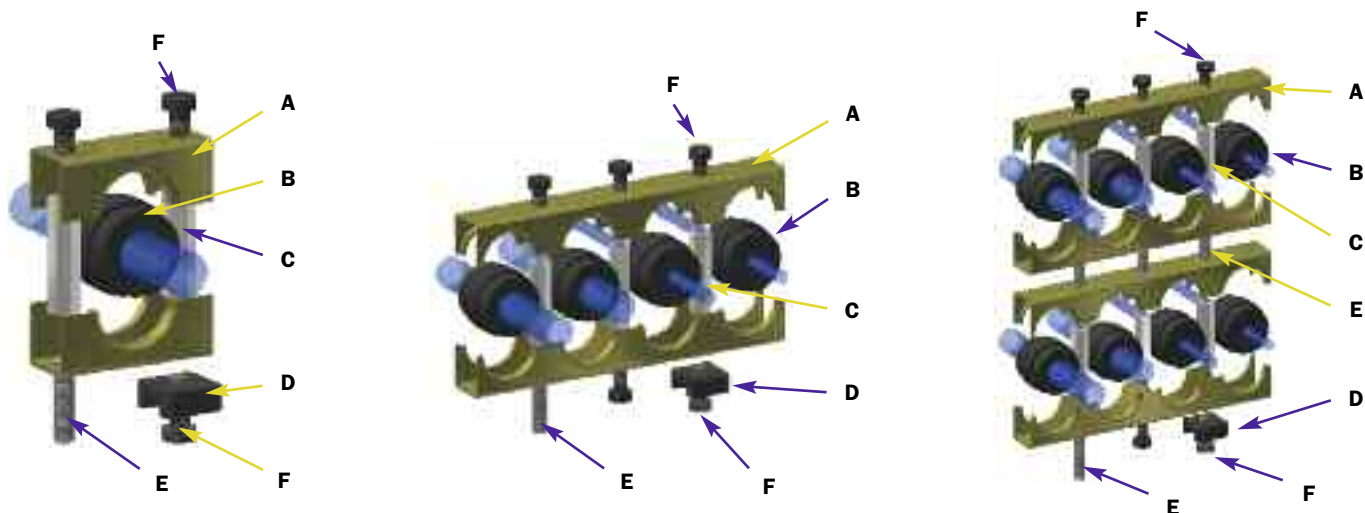
Screw	SFT 38/51	SFT 78
A	16	30
B	M8	M10
Ch.	13	17



Bushes SFT 78

Bushes SFT 38		Bushes SFT 51		Bushes SFT 78	
B = \varnothing 25	C = 31 \varnothing A	B = \varnothing 38	C = 31 \varnothing A	B = \varnothing 59	C = 45 \varnothing A
	6		6		8
	8		8		10
	10		10		12
	12		12		15
	15		15		18
	18		18		22
			22		25
			25		28
			28		33
					35
					42
					50

Ordering information



PIPES FIXING CLAMPS ORDERING INFORMATION

Fixing clamps

SFT

Example: SFT

1	2	3
<input type="checkbox"/>	<input type="checkbox"/>	<input type="checkbox"/>
51	19	P01

1 - Size

38
51
78

2 - No. of tube connections

Single style

1	All sizes / Single hole
---	-------------------------

Multiple style

26	Size 38 / No. holes: 26
19	Size 51 / No. holes: 19
16	Size 78 / No. holes: 16
xx	On request

3 - Options

P01	MP Filtri standard
-----	--------------------

ORDERING INFORMATION FOR ACCESSORIES FOR: SFT

" B " Pipe bushes

Size 38	Size 51	Size 78	Øe Pipe (mm)	Øe Pipe (inch)
B38 6	B51 6	-	6	1/4"
B38 8	B51 8	B78 8	8	5/16"
B38 10	B51 10	B78 10	10	3/8"
B38 1214	B51 1214	B78 1214	12 - 14	1/2"
B38 1516	B51 1516	B78 1516	15 - 16	5/8"
B38 1820	B51 1820	B78 1820	18 - 20	3/4"
	B51 22	B78 22	22	7/8"
	B51 25	B78 25	25	1"
	B51 28	-	28	-
		B78 2830	28 - 30	1 1/8"
		B78 33	33	1 1/4"
		B78 3538	35 - 38	1 3/8" - 1 1/2"
		B78 42	42	1 3/4"
		B78 50	50	2"

Example: B 51 1516

" C " Spacer

D38M	Size 38 Metric
D51M	Size 51 Metric
D78M	Size 78 Metric
D38U	Size 38 UNC
D51U	Size 51 UNC
D78U	Size 78 UNC

Example: D 51 M

" D " Foot

W3851	Size 38 and 51
W78	Size 78

Example: W 3851

" E " Stud

P3851M	Size 38 and 51 Metric
P78M	Size 78 Metric
P3851U	Size 38 and 51 UNC
P78U	Size 78 UNC

Example: P3851 M

" F " Screw

V3851M	Size 38 and 51 Metric
V78M	Size 78 Metric
V3851U	Size 38 and 51 UNC
V78U	Size 78 UNC

Example: V 3851 M