

# FILLER CAPS



The series TK range of filler caps is composed of styles with breather filter, dipstick for measuring the reservoir fluid level and anti-splash fins to prevent spillage of oil from the reservoir on mobile equipment.

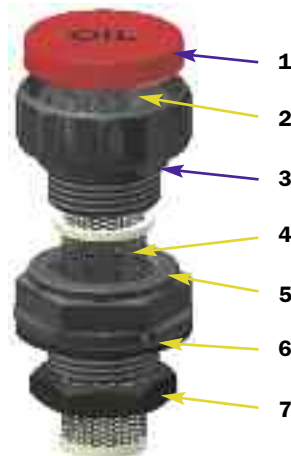
#### **Temperature**

- from -25 °C to +100 °C

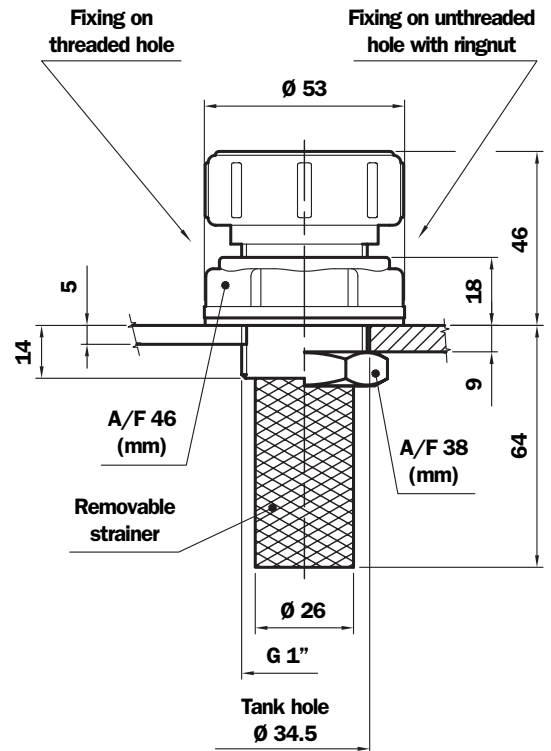
#### **Compatibility**

- Mineral oils to ISO 2943 - aqueous emulsions  
Synthetic fluids, glycol water.

**TC50G1.....P01**  
Threaded reservoir



## Dimensions



**TC50GA.....P01**  
Unthreaded hole in reservoir



**TC50 ((Materials))**

- 1 - Cover: Nylon
- 2 - Filter element: Galvanised Steel
- 3 - Filler cap: Nylon
- 4 - Strainer: Galvanised Steel/Nylon  
AISI 304 Nylon
- 5 - Collar: Nylon
- 6 - Seal: Inorganic fibre
- 7 - Ringnut: Phosphated Steel

**Weight**

- TC 50 G1: 0,070 Kg
- TC 50 GA: 0,100 Kg

## Ordering information

<b>Filler cap</b>	<b>1</b>	<b>2</b>	<b>3</b>	<b>4</b>	<b>5</b>	<b>6</b>	<b>7</b>
<b>TC50</b>	<input type="checkbox"/>	<input type="checkbox"/>	<input type="checkbox"/>	<input type="checkbox"/>	<input type="checkbox"/>	<input type="checkbox"/>	<input type="checkbox"/>
<b>Example: TC50</b>	<b>G1</b>	<b>L90</b>	<b>P</b>	<b>R</b>	<b>O</b>	<b>C70</b>	<b>P01</b>

**1 - Connection**

<input type="checkbox"/> <b>G1</b>	G 1"
<input type="checkbox"/> <b>GA</b>	With ringnut

**2 - Filter element**

<input type="checkbox"/> <b>L90</b>	Galvanised steel
-------------------------------------	------------------

**3 - Seal**

<input type="checkbox"/> <b>P</b>	Inorganic fibre
-----------------------------------	-----------------

**4 - Cover colour**

<input type="checkbox"/> <b>R</b>	Red
<input type="checkbox"/> <b>G</b>	Yellow

**5 - Cover wording**

<input type="checkbox"/> <b>O</b>	Oil
<input type="checkbox"/> <b>N</b>	Neutral

**6 - Basket**

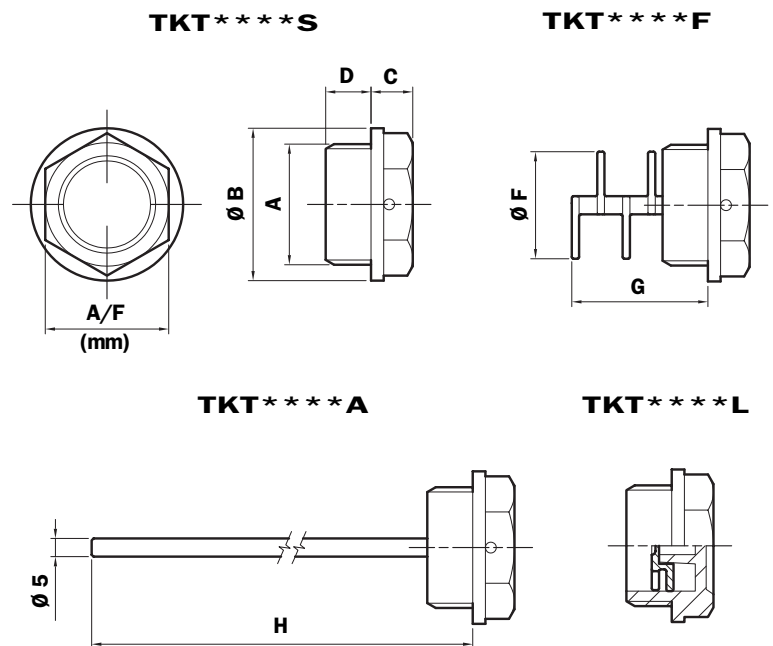
<input type="checkbox"/> <b>C70</b>	Basket L= 70 - Galvanised Steel
<input type="checkbox"/> <b>I70</b>	Basket L= 70 - AISI 304
<input type="checkbox"/> <b>S</b>	Without

**7 - Options**

<input type="checkbox"/> <b>P01</b>	MP Filtri standard
-------------------------------------	--------------------



## Dimensions



### TKT (Materials)

- 1** - Body: Nylon
- 2** - Seals: NBR  
Inorganic fibre
- 3** - Labyrinth: Nylon
- 4** - Anti-splash feature: Nylon
- 5** - Dipstick: Phosphated Steel

### Quantity per pack Number of Parts

**TKT** 25

Size	A	Ø B	C	A/F (mm)	D	Ø F	G	H
<b>G13</b>	G 1/4"	20	7	17	9	-	-	206
<b>G16</b>	G 3/8"	22	8	18	10	13,5	33	207
<b>G20</b>	G 1/2"	28	8	22	11	17,5	34	208
<b>G26</b>	G 3/4"	35	9	27	12	23,5	35	209
<b>G33</b>	G 1"	42	11,5	34	12,5	29,5	37,5	202,5
<b>G42</b>	G 1 1/4"	52	12	42	13	38	40	203
<b>G48</b>	G 1 1/2"	58	14	47	13	38	38	203
<b>G60</b>	G 2"	74	14	64	20	-	-	200

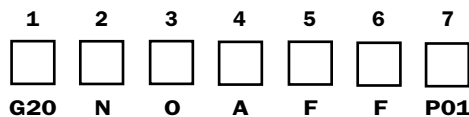
**N.B.** Seals thickness 2 mm.  
Recommended tightening torque 10 ± 15 Nm.

## Ordering information

### Filler cap

**TKT**

Example: TKT



### 1 - Size

<b>G13</b>	G 1/4"
<b>G16</b>	G 3/8"
<b>G20</b>	G 1/2"
<b>G26</b>	G 3/4"
<b>G33</b>	G 1"
<b>G42</b>	G 1 1/4"
<b>G48</b>	G 1 1/2"
<b>G60</b>	G 2"

### 2 - Colour

<b>N</b>	Black nylon
----------	-------------

**48**

### 3 - Cover wording

<b>N</b>	Neutral
<b>O</b>	Oil

### 4 - Seal

<b>A</b>	NBR x TKT****F and TKT****A
<b>B</b>	Fibre inorganique x TKT****S and TKT****L

### 5 - Style

<b>S</b>	Without breather
<b>F</b>	Breather hole

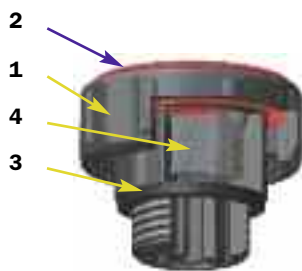
### 6 - Accessories

<b>S</b>	Without
<b>A</b>	Standard dipstick
<b>F</b>	Anti-splash feature (except G13-G60)
<b>L</b>	Labyrinth filter (except G33-G42-G48-G60)

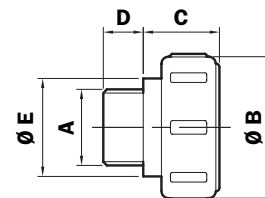
### 7 - Options

<b>P01</b>	MP Filtri standard
------------	--------------------

## Dimensions

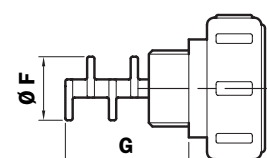
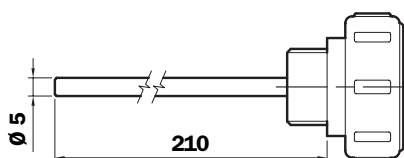


TSD\*\*\*\*S



TSD\*\*\*\*A

TSD\*\*\*\*F



**TSD (Materials)**

- 1 - Body: Nylon
- 2 - Cover: Nylon
- 3 - Seal: NBR
- 4 - Filter: Galvanised steel
- 5 - Anti-splash feature: Nylon
- 6 - Dipstick: Phosphated Steel

**Quantity per pack  
Number of Parts**

**TSD** 25

Size	A	Ø B	C	D	Ø E	Ø F	G
<b>G16</b>	G 3/8"	35	21	10	23	13,5	36
<b>G20</b>	G 1/2"	39	21	11	27	17,5	36
<b>G26</b>	G 3/4"	45	21	12	33	23,5	37
<b>G33</b>	G 1"	51	24,5	13	39	29,5	44
<b>G42</b>	G 1 1/4"	66	29,5	14	54	38	47
<b>G48</b>	G 1 1/2"	66	29,5	14	54	38	47

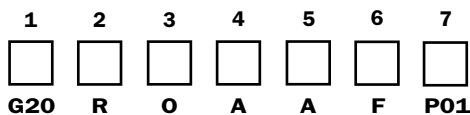
**N.B.** Seals thickness 2 mm.  
Recommended tightening torque 10+15 Nm.

## Ordering information

**Filler cap**

**TSD**

Example: TSD



**1 - Size**

<b>G16</b>	G 3/8"
<b>G20</b>	G 1/2"
<b>G26</b>	G 3/4"
<b>G33</b>	G 1"
<b>G42</b>	G 1 1/4"
<b>G48</b>	G 1 1/2"

**2 - Cover colour**

<b>R</b>	Red
<b>Y</b>	Yellow

**3 - Cover wording**

<b>N</b>	Neutral
<b>O</b>	Oil
<b>G</b>	Gasoil

**4 - Seal**

<b>A</b>	NBR
----------	-----

**5 - Filter element**

<b>A</b>	Steel (excepté "Gasoil")
<b>O</b>	Without

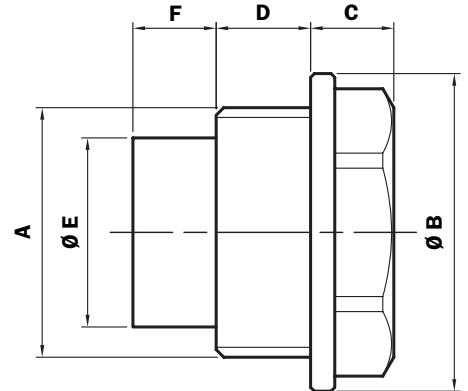
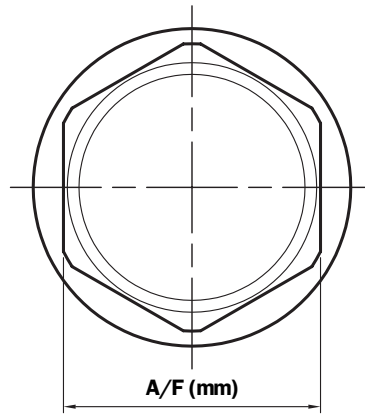
**6 - Accessories**

<b>S</b>	Without
<b>A</b>	Standard dipstick
<b>F</b>	Anti-splash feature

**7 - Options**

<b>P01</b>	MP Filtri standard
------------	--------------------

## Dimensions



### TKM (Materials)

Body: Aluminium

Seal: Inorganic fibre

### Temperature

- from -25 °C to +100 °C

### Compatibility

- Only mineral oils to ISO 2943

Size	A	Ø B	C	D	Ø E	F	A/F (mm)
<b>G13</b>	G 1/4"	19	4,5	7	9,5	6	15
<b>G16</b>	G 3/8"	22	8	9	8	6	18
<b>G20</b>	G 1/2"	28	8	9	10	8	22
<b>G26</b>	G 3/4"	35	9	10	12	11	27
<b>G33</b>	G 1"	42	11	12,5	25	11	37

**N.B.** Seals thickness 2 mm.

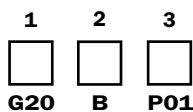
Recommended tightening torque 10÷15 Nm.

## Ordering information

### Filler cap

**TKM**

Example: TKM



#### 1 - Size

<b>G13</b>	G 1/4"
<b>G16</b>	G 3/8"
<b>G20</b>	G 1/2"
<b>G26</b>	G 3/4"
<b>G33</b>	G 1"

#### 2 - Seal

**B** Inorganic fibre

#### 3 - Options

**P01** MP Filtri standard