

AIR BREATHER FILTERS



The comprehensive series of breather filters makes it possible to meet all market demands. Metal and plastic styles suitable for use on mobile equipment are available.

The function of breather filters is to intercept environmental contamination.

The correct use of breather filters ensures longer life of filter cartridges installed in the hydraulic circuit, and in applications where high level of contamination are present.

The use of breather filters calls for the simultaneous installation of plugs for filling and topping up fluids; it is recommended to use plugs complete with basket for correct prefiltration of the fluid.

If the filler plug is equipped with a filter, the filtration degree must be the same as that of the breather filter.

Temperature

- from -25°C to +100°C

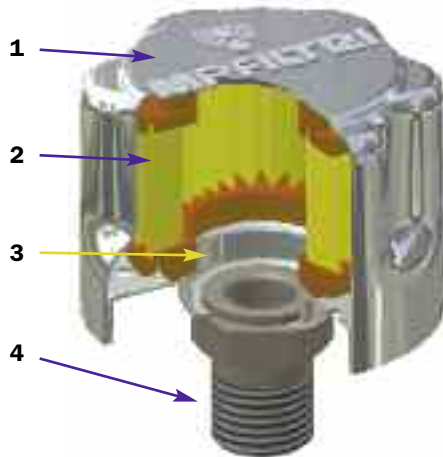
Compatibility

- NBR seals and Cork Gasket, compatible with:
Mineral oils to ISO 2943 - aqueous emulsions
Synthetic fluids, glycol water.
- FPM seals, compatible with:
Synthetic fluids type HS-HFDR-HFDS-HFDU.

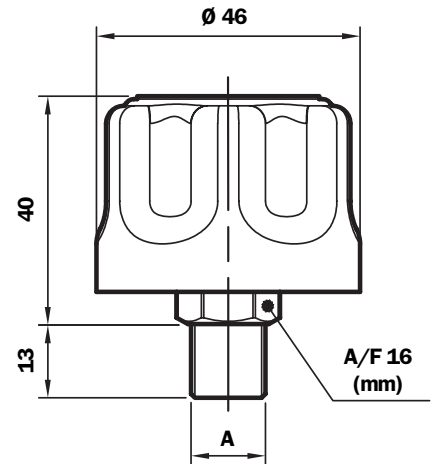
Dimensions

TA46G-N...P01

With filter



Threaded connection



TA46 G - N (Materials)

- 1 - Cover: Chrome plated steel
- 2 - Filter element: Impregnated paper
Polyurethane
- 3 - Flange: Galvanised Steel
- 4 - Threaded connection: Phosphated Steel

Flow rate with Δp : 0,02 bar

Filtration	l_N/min
3 μm	150
10 μm	200

Weight

TA 46: 0,110 kg

Connection	A
G	G 1/4"
N	1/4" NPT

Ordering information

Breather filter

	1	2	3
TA46	<input type="checkbox"/>	<input type="checkbox"/>	<input type="checkbox"/>
Example: TA46	G	03	P01

1 - Connection to reservoir

G	G 1/4"
N	1/4" NPT

3 - Options

P01	MP Filtri standard
------------	--------------------

2 - Filter element

03	3 μm - Impregnated paper
10	10 μm - Polyurethane

TA80.....P01

With filter



TA80.03.9P01

With anti-splash feature



TA80....1P01

With filter and pressurisation valve



Ordering information

Breather filter

TA80

Example: TA80

1	2	3	4	5
<input type="checkbox"/>	<input type="checkbox"/>	<input type="checkbox"/>	<input type="checkbox"/>	<input type="checkbox"/>
G	03	A	1	P01

1 - Connection to reservoir

<input type="checkbox"/>	G 3/4"
<input type="checkbox"/>	3/4" NPT

2 - Filter element

<input type="checkbox"/>	3 µm - Impregnated paper
<input type="checkbox"/>	10 µm - Polyurethane

3 - Seal

<input type="checkbox"/>	Without
<input type="checkbox"/>	NBR (pressurised only)

4 - Valves

<input type="checkbox"/>	Without
<input type="checkbox"/>	0,3 bar pressurisation valve
<input type="checkbox"/>	0,7 bar pressurisation valve
<input type="checkbox"/>	Anti-splash feature (only with filter element 3 µm)

5 - Options

<input type="checkbox"/>	MP Filtri standard
--------------------------	--------------------

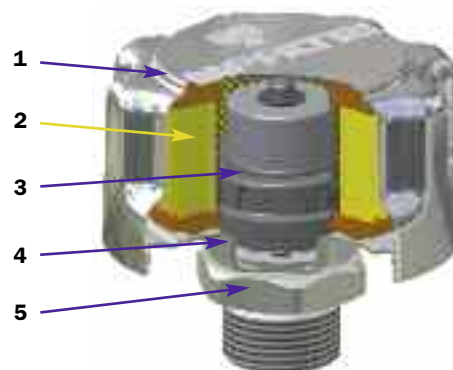
Flow rate with Δp : 0,02 bar

Filtration	I_N /min
3 µm	450
10 µm	550

Weight

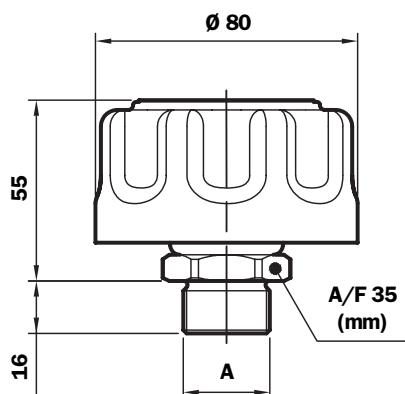
TA 80: 0,350 Kg

TA80



Dimensions

Threaded connection



Connection	A
G	G 3/4"
N	3/4" NPT

TA80 G (Materials)

- 1 - Cover: Chrome Plated Steel
- 2 - Filter element: Impregnated paper
Polyurethane
- 3 - Pressurisation valve: Nylon
Galvanised Steel
NBR
- 4 - Flange: Galvanised Steel
- 5 - Threaded connection: Galvanised Steel
- 6 - Anti-slosh feature: Galvanised Steel

Ordering information

Breather filter	1	2	3	4	5	6
TAP90	<input type="checkbox"/>	<input type="checkbox"/>	<input type="checkbox"/>	<input type="checkbox"/>	<input type="checkbox"/>	<input type="checkbox"/>
Exemple: TAP90	G	03	0	1	L	P01

1 - Connection to reservoir

G	M52x2
H	G 1 1/2"
L	G 1 1/4"
M	3/4" NPT
N	1" NPT
Q	G 3/4"

2 - Filter element

03	3 µm - Impregnated paper
10	10 µm - Polyurethane

3 - Seal

0	Without
A	NBR (pressurised)

4 - Pressurisation valve

0	Without
1	0,3 bar pressurisation valve
2	0,7 bar pressurisation valve

5 - Variants

0	Standard
A	With Dipstick
L	With Padlock tab
F	With Dipstick and Padlock tab

6 - Options

P01	MP Filtri standard
------------	--------------------

TAP 90 G
With filter



TAP90 (Materials)

- 1 - Cover/ringnut:** Nylon
- 2 - Breather filter:** Impregnated paper
Polyurethane
- 3 - Seal:** NBR

Flow rate with Δp: 0,02 bar

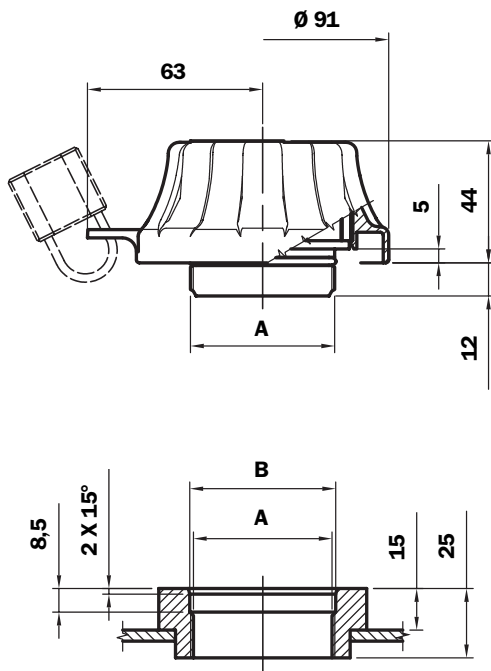
Filtration	I _N /min
3 µm	450
10 µm	550

Weight

TAP 90: 0,130 Kg

Dimensions

TAP 90 for connection on weld flange



	A	B
G	M52x2	Ø 52,5
H	G 1 1/2"	Ø 48,5
L	G 1 1/4"	Ø 42
M	3/4" NPT	-
N	1" NPT	-
Q	G 3/4"	-

TAP G

With Pressurisation

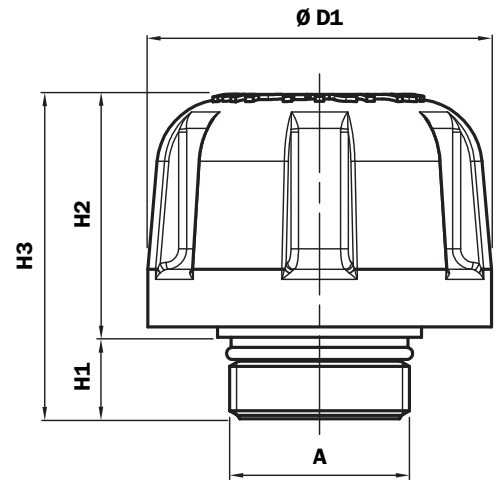
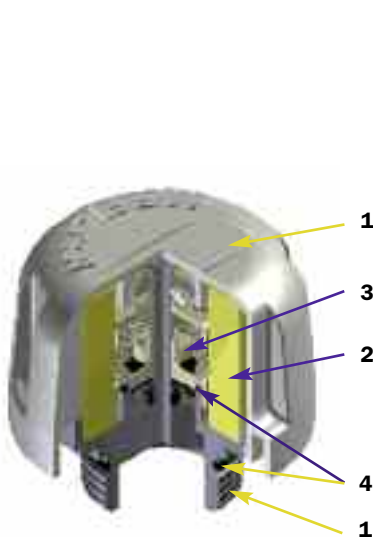


TAP G

With Dipstick



Dimensions



SAP050 (Materials)

- 1 - Cover/Connection: Nylon
- 2 - Filter element: Impregnated paper
Polyurethane
- 3 - Pressurisation: Nylon
Galvanised steel
NBR
- 4 - Seal: NBR

Flow rate with Δp : 0,02 bar

Filtration	I_N /min
10 μm	204

Weights

SAP 050: 0,040 kg

Connection to reservoir "A"

Type SAP 50				
G1	G2	G3	G4	G5
G 1/4"	G 3/8"	G 1/2"	G 3/4"	1/4" NPT
G6	G7	G8	G9	G10
3/8" NPT	1/2" NPT	3/4" NPT	SAE 6	SAE 12

Quantity per pack Number of Parts

SAP50	10
-------	----

Dimensions

Type SAP	D1	H1	H2	H3
50 G1				
50 G2				
50 G3				
50 G4	50,5	12	36	48
50 G5				
50 G6				
50 G7				
50 G8				
50 G9	50,5	14,5	35	50
50 G10				

Ordering information

Breather filter	1	2	3	4	5
SAP	<input type="checkbox"/>	<input type="checkbox"/>	<input type="checkbox"/>	<input type="checkbox"/>	<input type="checkbox"/>
Example: SAP50	G4	L10	A	0	P01

1 - Connection to reservoir

G1	G 1/4"
G2	G 3/8"
G3	G 1/2"
G4	G 3/4"
G5	1/4" NPT
G6	3/8" NPT
G7	1/2" NPT
G8	3/4" NPT
G9	SAE 6
G10	SAE 12

2 - Filter element

L03	3 μm - Impregnated paper
L10	10 μm - Polyurethane

3 - Seal

A	NBR
---	-----

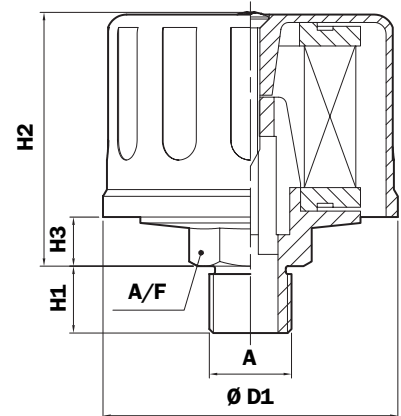
4 - Pressurisation valve

0	Without
1	Pressurisation valve 0,5 bar Only for connection: G2 - G3 - G4 - G6 G7 - G8 - G10

5 - Options

P01	MP Filtri standard
-----	--------------------

Dimensions



SAP 054 - 075 (Materials)

- 1 - Cover: Nylon
- 2 - Connection: Nylon
- 3 - Filter element: Impregnated paper

Weights

SAP 054: 0,060 Kg
 SAP 075: 0,150 Kg

Flow rate with Δp : 0,02 bar

Filtration	I_N /min
SAP 054	
3 μ m	200
10 μ m	250
SAP 075	
3 μ m	350
10 μ m	400

Connection to reservoir " A "

Type SAP	G1	G2	G3	G4	G5
054	G 3/8"	G 1/2"	-	1/2" NPT	-
075	G 1/2"	G 3/4"	-	1/2" NPT	3/4" NPT

Dimensions

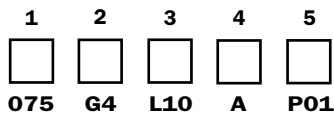
Type SAP	D1	H1	H2	H3	A/F (mm)	
054 G1	54	13,5	51	8	22	
054 G2					27	
054 G4						
075 G1	75	17	64	9	32	
075 G2					27	
075 G4						32
075 G5						

Ordering information

Breather filter

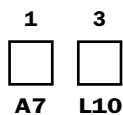
SAP

Example: SAP



Filter element

Example:



1 - Size

Filter

054
075

Filter element

A4
A7

2 - Connection to reservoir

	SAP 054	SAP 075
G1	G 3/8"	G 1/2"
G2	G1/2"	G 3/4"
G3	-	-
G4	1/2" NPT	1/2" NPT
G5	-	3/4" NPT

3 - Filter element

L03	3 μ m - Impregnated paper
L10	10 μ m - Impregnated paper

4 - Seal

A	NBR
----------	-----

5 - Options

P01	MP Filtri standard
------------	--------------------

Series SAP 115

Nylon air breather filter

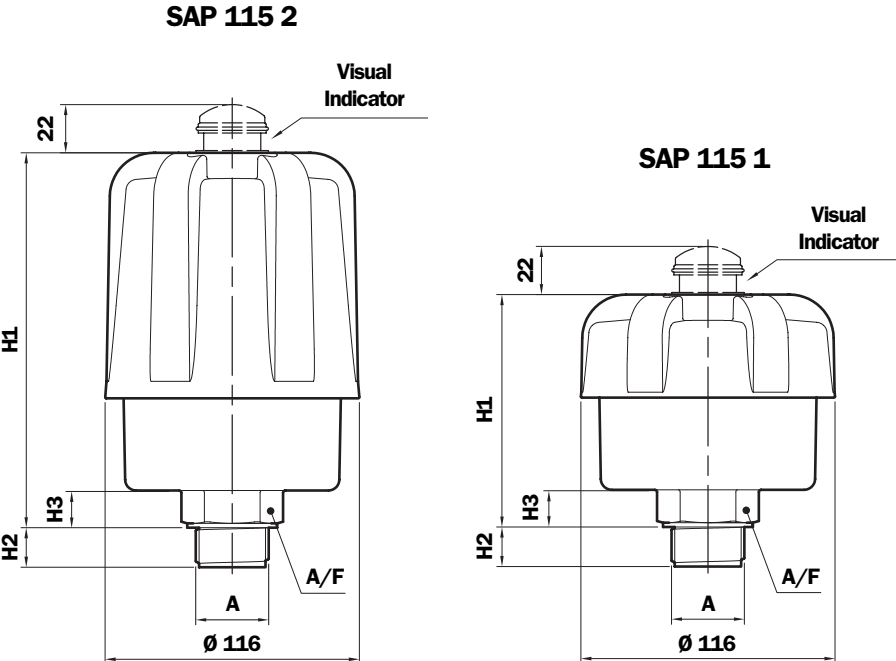


Clogging indicator
Set pressure: - 0.062 bar ± 10%
Manual reset

- SAP115 (Materials)**
- 1 - Cover: Nylon
 - 2 - Filter element: Microfibre
Impregnated paper
 - 3 - Connection: Nylon
 - 4 - Seals: NBR
FPM

Weight
 SAP 115 1: 0,410 Kg
 SAP 115 2: 0,525 Kg

Dimensions



SAP 115 1 - Dimension

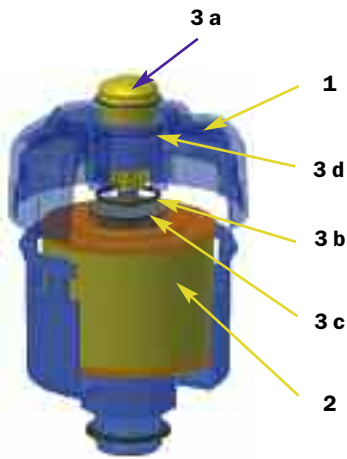
Connection	A	A/F	H1	H2	H3
A	G 1"	41	106	18	17
B	M33x2	41	106	18	17
C	G 1 1/2"	55	111	23	22

SAP 115 2 - Dimension

Connection	A	A/F	H1	H2	H3
A	G 1"	41	171	18	17
B	M33x2	41	171	18	17
C	G 1 1/2"	55	176	23	22

Flow rate with Δp: 0,02 bar

Connection	Filtration	l _v /min	
		SAP 115 1	SAP 115 2
G 1" M33x2	L10	2170	2800
	A03	1830	2800
G 1 1/2"	L10	2330	3000
	A03	1995	3000



TAP SAP 115 spare parts

Item.	Description	Q.ty	Filler cap series SAP 115	
1	Complete filler cap	1	See order table	
2	Filter Element	1	See order table	
3	Indicator kit	1	NBR 02005187	FPM 02005188
3a	Visual indicator	1	S62P01	
3b	Seal	1	O-R 3106 Ø 26,64 X 2,62	
3c	Indicator securing screw	1	01022670	
3d	O-R indicator	1	O-R 2112 Ø 28,3 x 1,78	

Changing the filter element in SAP 115 series filler caps

- 1 Thoroughly clean the filler cap and adjacent parts.
- 2 Unscrew and raise the cover.
- 3 Replace the filter element.
- 4 Screw the cover.



Ordering information

Breather filter
SAP115
Example: SAP115

1	2	3	4	5	6	7
<input type="checkbox"/>	<input type="checkbox"/>	<input type="checkbox"/>	<input type="checkbox"/>	<input type="checkbox"/>	<input type="checkbox"/>	<input type="checkbox"/>
2	A	A03	A	1	B	P01

Filter element
A115
Example: A115

1	3	7
<input type="checkbox"/>	<input type="checkbox"/>	<input type="checkbox"/>
2	A03	P01

1 - Length

1
2

2 - Connection

A	G 1"
B	M33x2
C	G 1 1/2"

3 - Filter element

A03	3 µm - Microfibre
L10	10 µm - Impregnated paper

4 - Seal

A	NBR
V	FPM

5 - Variants

0	Standard
1	With anti-splash feature

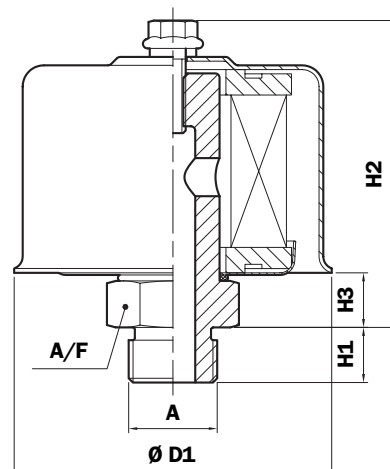
6 - Clogging indicator

A	Without
B	Visual indicator

7 - Options

P01	MP Filtri standard
-----	--------------------

Dimensions



SA (Materials)

- 1 - Screw: Galvanised Steel
- 2 - Washer: Teflon
- 3 - Cover: Steel
- 4 - Filter element: Impregnated paper
- 5 - Ring: Galvanised Steel
- 6 - Seal: NBR
- 7 - Connection: Anodised Aluminium Galvanised Steel

Dimension

Type	D1	H1	H2	H3	A/F (mm)
036	36	13	36,5	9	22
053	53	13	52,5	7	22
075 G1		13			27
075 G2	75	17	68,5	11,5	32
075 G4		15			27
075 G5		20			32
115	115	17	80	11	38
145	145	25	115	13	55
185	185	25	164	23	80

Flow rate with Δp : 0,02 bar

Weight

- SA 036: 0,080 Kg
- SA 053: 0,150 Kg
- SA 075: 0,260 Kg
- SA 115: 0,400 Kg
- SA 145: 0,590 Kg
- SA 185: 1,220 Kg

Type	Flow rate l_N/min	
	3 μm	10 μm
036	140	140
053	250	250
075	350	400
115	800	850
145	1800	1850
185	2300	2500

Connection to reservoir "A"

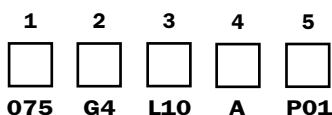
Type	G1	G2	G3	G4	G5	G6
036	G 1/4"	G 3/8"	G 1/2"	1/4" NPT	3/8" NPT	1/2" NPT
053	G 1/4"	G 3/8"	-	1/4" NPT	3/8" NPT	-
075	G 1/2"	G 3/4"	-	1/2" NPT	3/4" NPT	-
115	G 1"	-	-	1" NPT	-	-
145	G 1 1/2"	-	-	1 1/2" NPT	-	-
185	G 2 1/2"	-	-	2 1/2" NPT	-	-

Ordering information

Breather filter

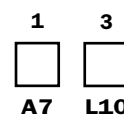
SA

Example: SA



Filter element

Example:



1 - Size

Filter	Filter element
036	A05
053	A5
075	A7
115	A8
145	A10
185	A11

2 - Connection to reservoir

Type	G1	G2	G3	G4	G5	G6
036	G 1/4"	G 3/8"	G 1/2"	1/4" NPT	3/8" NPT	1/2" NPT
053	G 1/4"	G 3/8"	-	1/4" NPT	3/8" NPT	-
075	G 1/2"	G 3/4"	-	1/2" NPT	3/4" NPT	-
115	G 1"	-	-	1" NPT	-	-
145	G 1 1/2"	-	-	1 1/2" NPT	-	-
185	G 2 1/2"	-	-	2 1/2" NPT	-	-

3 - Filter element

L03	3 μm - Impregnated paper
L10	10 μm - Impregnated paper
S	Without

4 - Seal

A	NBR
---	-----

5 - Options

P01	MP Filtri standard
-----	--------------------

Flow rate with Δp : 0,02 bar



SCS XXX C

Type	Filtration I _N /min	
	P10	A03
SCS 050	P10	550
	A03	515
	A10	530
SCS 070	P10	550
	A03	515
	A10	530
SCS 100	P10	1415
	A03	1300
	A10	1330
SCS 150	P10	1415
	A03	1300
	A10	1330



SCS XXX F

SCS (Materials)

Riser: Galvanised Steel

Weight

SCS050...G1: 0,200 Kg
 SCS050...G2: 0,265 Kg
 SCS100...G1: 0,450 Kg
 SCS100...G2: 0,645 Kg

Weight

CS/CG050: 0,73 Kg
 CS/CG070: 0,95 Kg
 CS100: 1,3 Kg
 CS150: 1,6 Kg
 CG100: 1,3 Kg
 CG150: 1,6 Kg

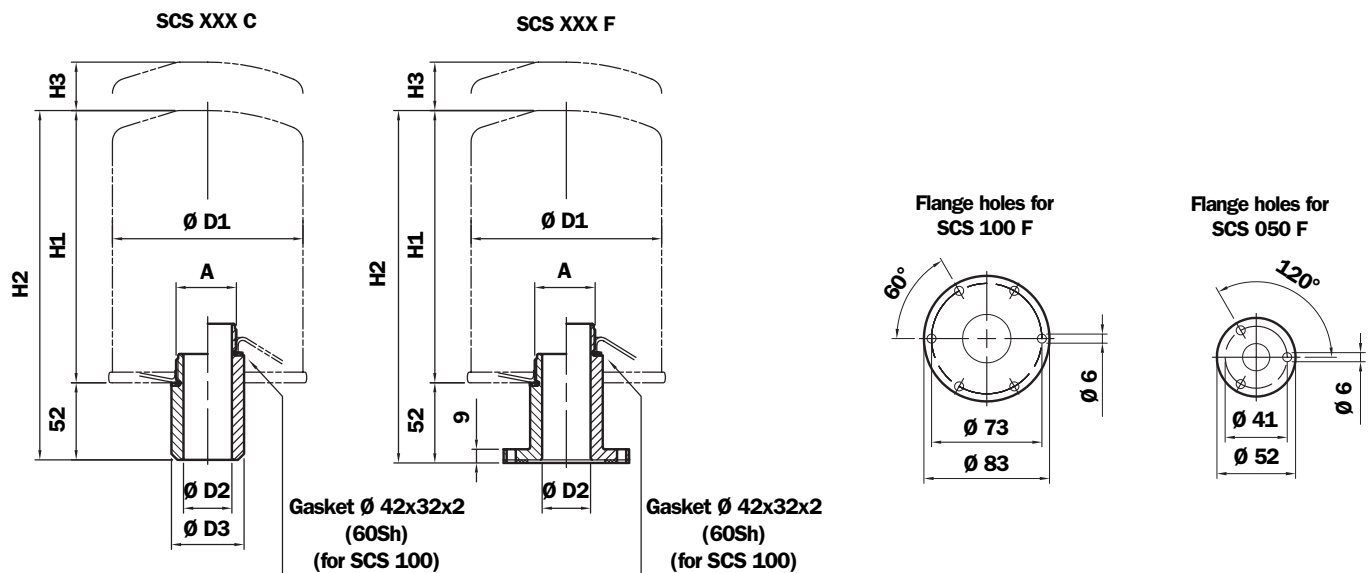
Dimensions SCS - CS - CG

Type	D1	H1	H2	H3
CS/CG050	96	143	195	20
CS/CG070	96	210	262	20
CS100	129	180	232	25
CS150	129	220	272	25
CG100	129	180	232	30
CG150	129	265	317	30

SCS Riser dimensions

Type	A	D2	D3
SCS050...G1	G 3/4"	18	32
SCS050...G2	1" 12 UN	18	32
SCS100...G1	G 1 1/4"	32	48
SCS100...G2	1 1/2" 16 UN	32	48

Dimensions



Ordering information

Breather filter	2	3	4	5	6	7
SCS	<input type="checkbox"/>	<input type="checkbox"/>	<input type="checkbox"/>	<input type="checkbox"/>	<input type="checkbox"/>	<input type="checkbox"/>
Example: SCS	050	F	G1	A10	A	P01
Riser only						
SCS	<input type="checkbox"/>	<input type="checkbox"/>	<input type="checkbox"/>	<input type="checkbox"/>	<input type="checkbox"/>	<input type="checkbox"/>
Example: SCS	050	F	G1	A	P01	
Filter element	1	2	5	6	7	
Example:	CS	050	A10	A	P01	

1 - Filter element type

- CS** Connection ISO 228 for SCS.....G1
- CG** Connection A.S.A. for SCS.....G2

2 - Size

- 050**
- 070** Riser assembly excluded
- 100**
- 150** Riser assembly excluded

3 - Connection to reservoir

- C** Weld riser
- F** Flange riser

4 - Threaded connection

- G1** G 3/4" for SCS 050/070
G 1 1/4" for SCS 100/150

G1 with filter elements series CS

- G2** 1" - 12 UNF for SCS 050/070
1-1 1/2" UN for SCS 100/150

G2 with filter elements series CG

5 - Filter element

- A03** 3 µm - Microfibre
- A10** 10 µm - Microfibre
- P10** 10 µm - Impregnated paper

6 - Seal

- A** NBR
- V** FPM

7 - Options

- P01** MP Filtri standard