

# PRESSURE GAUGE SELECTORS



Gauge isolator valves are designed to protect pressure gauges from pressure shocks when the pressure reading is not required; after each reading setting the selector to the closed position serves to depressurise the pressure gauge by means of the T fitting connected to the reservoir. 3 and 6-way pressure gauge selectors perform the same function as the gauge isolator valves, allowing pressure values from different parts of the system to be read using a single pressure gauge.

#### **Working pressure**

- 400 bar

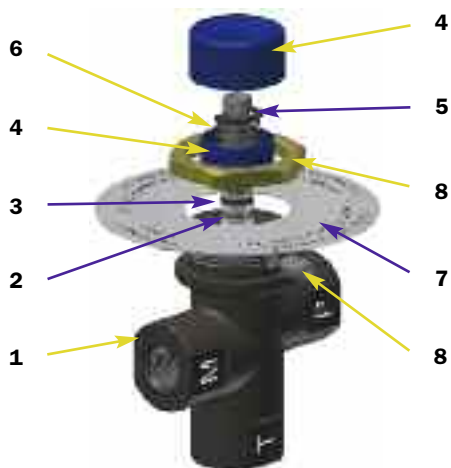
#### **Temperature**

- From -25 °C to +100 °C

#### **Compatibility**

- NBR seals, compatible with:  
Mineral oils to ISO 2943 - aqueous emulsions  
Synthetic fluids, glycol water.
- FPM seals, compatible with:  
Synthetic fluids type HS-HFDR-HFDS-HFDU.

# Series EM1 - A



## EM1-A (Materials)

- 1 - Body: Cast Iron
- 2 - Pin: Steel
- 3 - Seals: NBR - FPM
- 4 - Knob/Cover: Nylon
- 5 - Stop ring: Steel
- 6 - Spring: Steel
- 7 - Nameplate: Aluminium
- 8 - Nut-Screw: Galvanised Steel

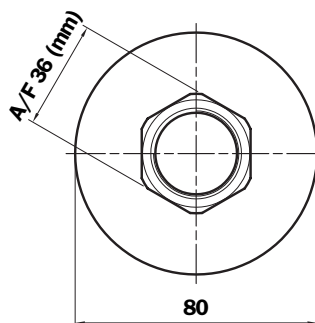
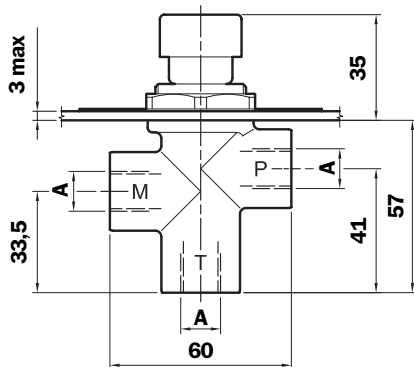
## Weight

EM1-A: 0,410 Kg

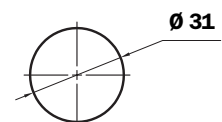
## Instructions for using gauge isolators series: EM1 "A"

- 1**  
Button not pressed: pressure gauge isolated.
- 2**  
Button pressed: pressure gauge reading.
- 3**  
Button pressed and turned (either to left or right): button remains in position and pressure gauge measures pressure continuously.
- 4**  
To isolate the pressure gauge from pressure reading, turn the button until it returns to the not pressed position.

## Dimensions



### Mounting holes

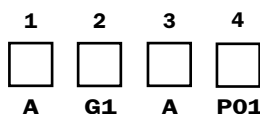


Type	A
G1	G 1/4"
G2	1/4" NPT
G3	SAE 5 (1/2" 20 UNF)

## Ordering information

### Pressure gauge isolator EM1

Example: EM1



#### 1 - Mounting type

**A** Panel mounting with hex nut

#### 2 - Connections

- G1** G 1/4"
- G2** 1/4" NPT
- G3** SAE 5 (1/2" 20 UNF)

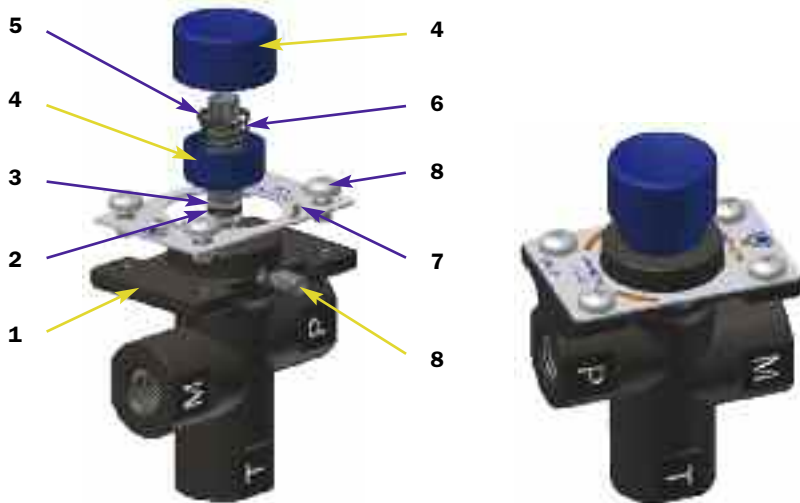
#### 3 - Seal

- A** NBR
- V** FPM

#### 4 - Options

- P01** MP Filtri standard

# Series EM1 - B



## EM1-B (Materials)

- 1 - Body: Cast Iron
- 2 - Pin: Steel
- 3 - Seals: NBR - FPM
- 4 - Knob/Cover: Nylon
- 5 - Stop ring: Steel
- 6 - Spring: Steel
- 7 - Nameplate: Aluminium
- 8 - Nut-Screw: Galvanised Steel

## Weight

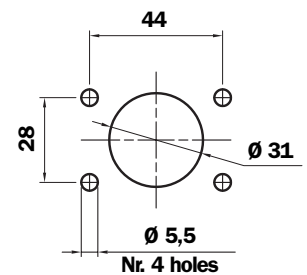
EM1-B: 0,440 Kg

## Instructions for using gauge isolators series: EM1 "B"

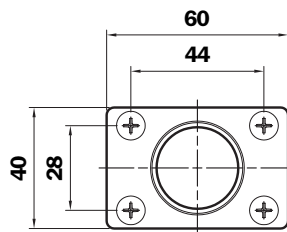
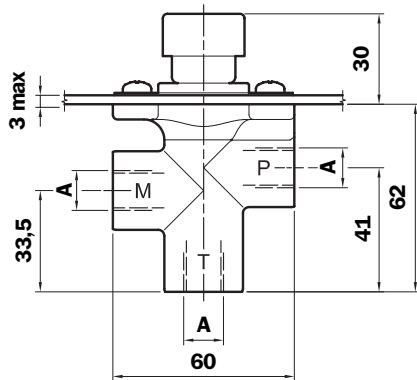
- 1**  
Button not pressed: pressure gauge isolated.
- 2**  
Button pressed: pressure gauge reading.
- 3**  
Button pressed and turned (either to left or right): button remains in position and pressure gauge measures pressure continuously.
- 4**  
To isolate the pressure gauge from pressure reading, turn the button until it returns to the not pressed position.

## Dimensions

### Mounting holes

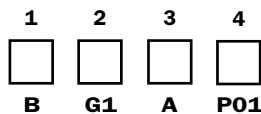


Type	A
G1	G 1/4"
G2	1/4" NPT
G3	SAE 5 (1/2" 20 UNF)



## Pressure gauge isolator EM1

Example: EM1



### 1 - Mounting type

**B** Panel mounting with screws

### 2 - Connections

**G1** G 1/4"  
**G2** 1/4" NPT  
**G3** SAE 5 (1/2" 20 UNF)

### 3 - Seal

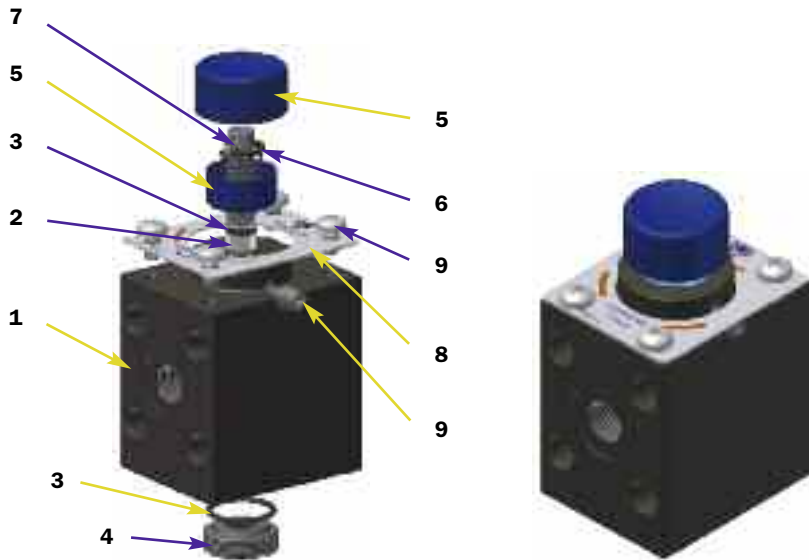
**A** NBR  
**V** FPM

### 4 - Options

**P01** MP Filtri standard

## Ordering information

# Series EM1 - C



## Instructions for using gauge isolators series: EM1 "C"

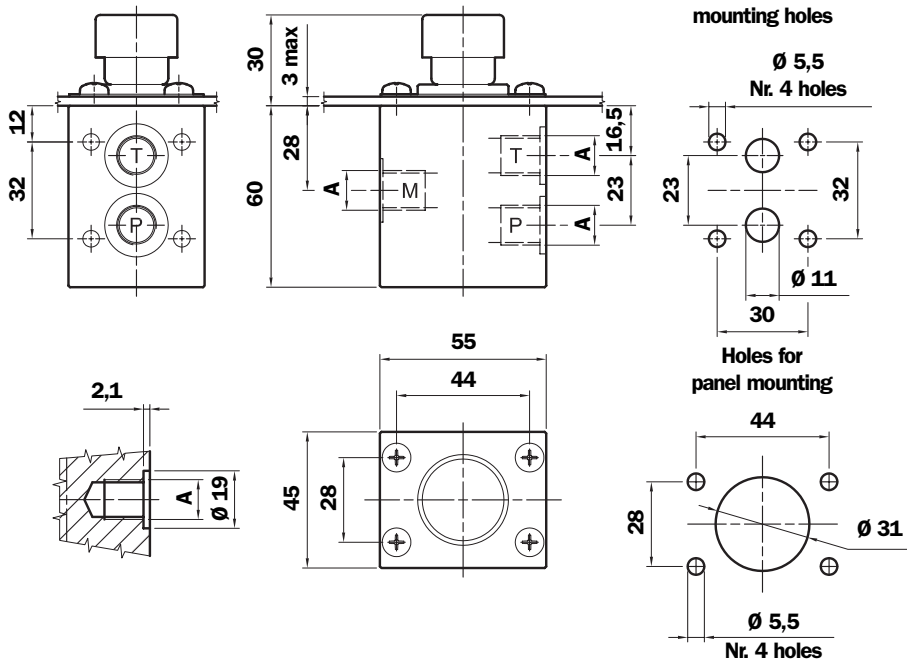
- 1**  
Button not pressed: pressure gauge isolated.
- 2**  
Button pressed: pressure gauge reading.
- 3**  
Button pressed and turned (either to left or right): button remains in position and pressure gauge measures pressure continuously.
- 4**  
To isolate the pressure gauge from pressure reading, turn the button until it returns to the not pressed position.

### EM1-C (Materials)

- |                                     |                                    |
|-------------------------------------|------------------------------------|
| <b>1</b> - Body: Cast Iron          | <b>6</b> - Stop ring: Steel        |
| <b>2</b> - Pin: Steel               | <b>7</b> - Spring: Steel           |
| <b>3</b> - Seals: NBR - FPM         | <b>8</b> - Nameplate: Aluminium    |
| <b>4</b> - Plug: Anodised Aluminium | <b>9</b> - Screw: Galvanised Steel |
| <b>5</b> - Knob/Cover: Nylon        |                                    |

### Weight

EM1-C: 1,0 Kg

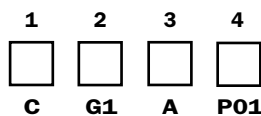


## Dimensions

Type	A
G1	G 1/4"
G2	1/4" NPT
G3	SAE 5 (1/2" 20 UNF)

### Pressure gauge isolator EM1

Example: EM1



#### 1 - Mounting type

**C** Universal

#### 2 - Connections

**G1** G 1/4"  
**G2** 1/4" NPT  
**G3** SAE 5 (1/2" 20 UNF)

#### 3 - Seal

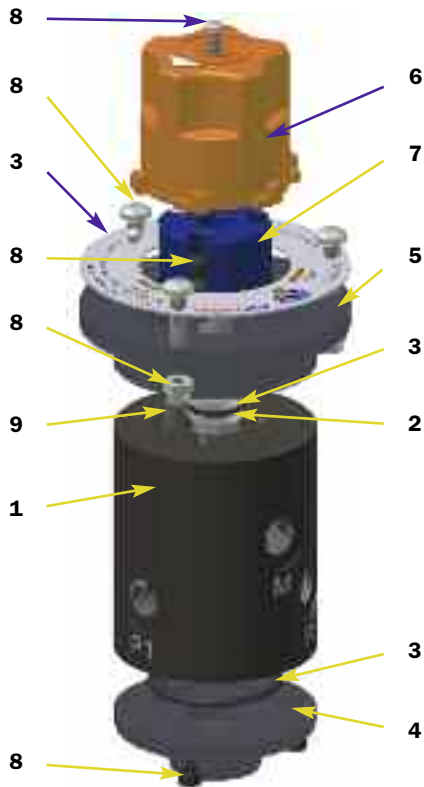
**A** NBR  
**V** FPM

#### 4 - Options

**P01** MP Filtri standard

## Ordering information

# Series SVM



## SVM (Materials)

- 1 - Body: Cast Iron
- 2 - Pin: Steel
- 3 - Seals: NBR - FPM
- 4 - Cover: Anodised Aluminium

5 - Flange: Anodised Aluminium

- 6 - Knob: Nylon
- 7 - Ringnut: Nylon
- 8 - Screws-Nuts: Galvanised/Phosphated Steel
- 9 - Pin: Steel

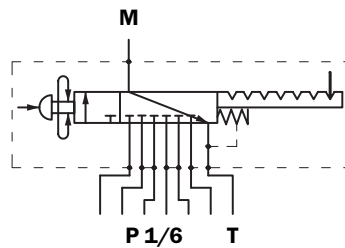
## Weights

SVM 3: 1,547 Kg

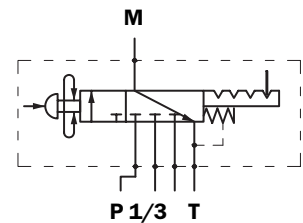
SVM 6: 1,507 Kg

## Hydraulic schematics

SVM 6

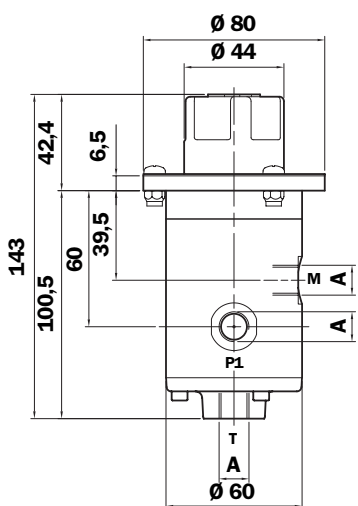


SVM 3

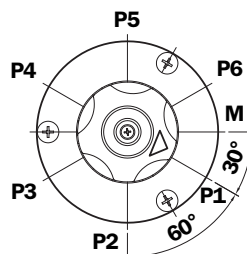
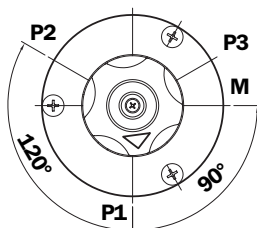
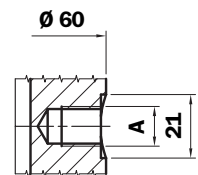
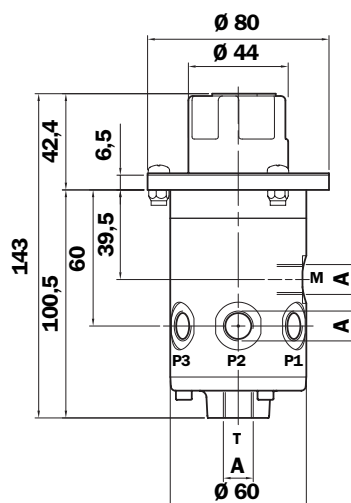


# Dimensions

SVM 3

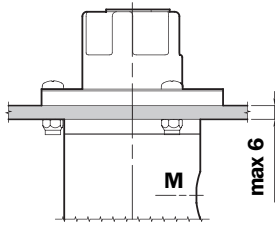


SVM 6

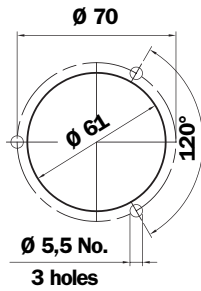


Type	A
G1	G 1/4"
G2	1/4" NPT
G3	SAE 5 (1/2" 20 UNF)

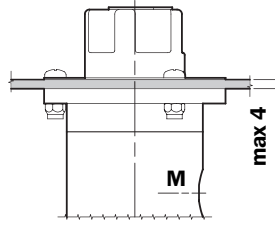
## Mounting holes



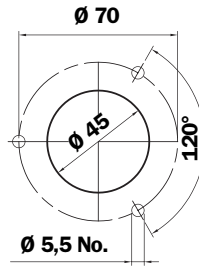
Type A



Ø 5,5 No.  
3 holes



Type B



Ø 5,5 No.  
3 holes

### Instructions for using gauge isolators series:

#### SVM

##### 1

Knob not pressed: pressure gauge isolated.

##### 2

Turn the knob to select the pressure value.

##### 3

Knob pressed: pressure gauge reading.

##### 4

Knob pressed and turned: the knob remains in position and pressure gauge measures pressure continuously.

##### 5

To isolate the pressure gauge from pressure reading, turn the button until it returns to the not pressed position.



## Ordering information

### Selector for pressure gauge SVM

Example: SVM

1	2	3	4
<input type="checkbox"/>	<input type="checkbox"/>	<input type="checkbox"/>	<input type="checkbox"/>
6	G1	A	P01

#### 1 - Number of connections

3	Pressure ports
6	Pressure ports

#### 2 - Connections

G1	G 1/4"
G2	1/4" NPT
G3	SAE 5 (1/2" 20 UNF)

#### 3 - Seal

A	NBR
V	FPM

#### 4 - Options

P01	MP Filtri standard
-----	--------------------