

# OIL FILLER AND AIR BREATHER FILLER CAPS



The complete series of oil filter and breather filler caps makes it possible to meet all market demands.

Metal and plastic styles suitable for use on mobile equipment are available.

Filler caps perform a dual function, air filtration at the tank inlet and prefiltration of the fluid by means of the basket, in order to prevent the ingress of foreign material into the tank during filling and top-up operations.

Correct operation of breather filters makes for longer life of the filter cartridges installed in the hydraulic circuit, and in applications where high level of contamination are present.

## **Temperature**

- from -25 °C to +100 °C

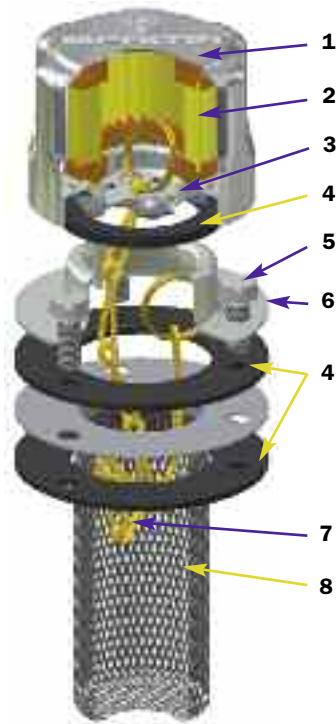
## **Compatibility**

- NBR seals and Cork Gasket, compatible with:  
Mineral oils to ISO 2943 - aqueous emulsions  
Synthetic fluids, glycol water.
- FPM seals, compatible with:  
Synthetic fluids type HS-HFDR-HFDS-HFDU.

## Metal oil filler and air breather filler caps

# Series TA 46

## Dimensions



### TA46 B (Materials)

- 1 - Cover: Chrome Plated Steel
- 2 - Filter element: Impregnated paper  
Polyurethane
- 3 - 6 - Flange: Galvanised Steel
- 4 - Seals: NBR  
Cork Gasket
- 5 - Screws: Galvanised Steel
- 7 - Chain, ring: Brass
- 8 - Basket: Galvanised Steel

### Flow rates with $\Delta p$ : 0,02 bar

Filtration	l/min
3 $\mu\text{m}$	150
10 $\mu\text{m}$	200

### Weight

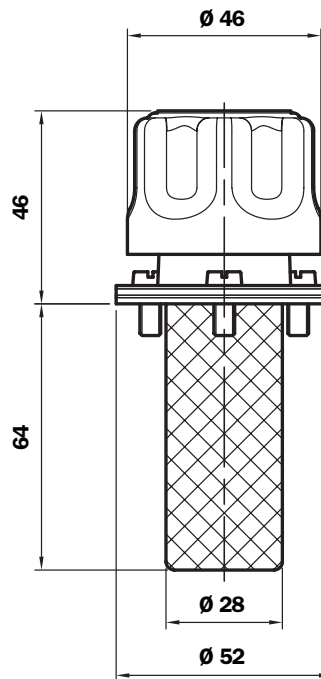
TA 46: 0,100 kg

### TA 46 B

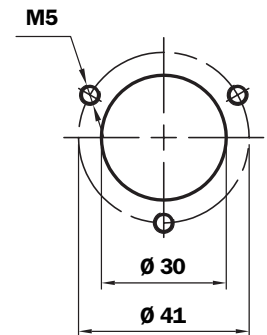
Bayonet connection  
Non-removable strainer



### Bayonet connection



### Reservoir holes

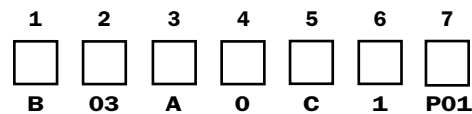


## Ordering information

### Filler cap

#### TA46

Example: TA46



### 1 - Connection to reservoir

**B** Flange with bayonet connection

### 2 - Filter element

**03** 3  $\mu\text{m}$  - Impregnated paper  
**10** 10  $\mu\text{m}$  - Polyurethane

### 3 - Seal

**A** NBR  
**B** Cork gasket

### 4 - Valves

**0** Without valves

### 5 - Variants

**0** Standard  
**C** With chain

### 6 - Basket

**0** Without  
**1** L= 65 mm

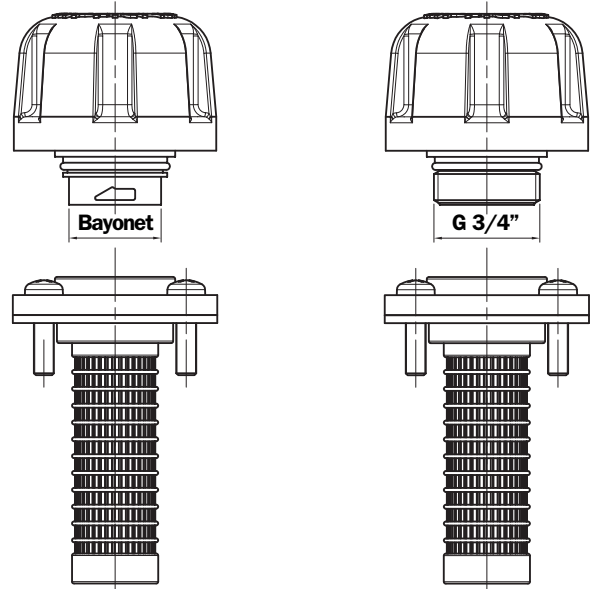
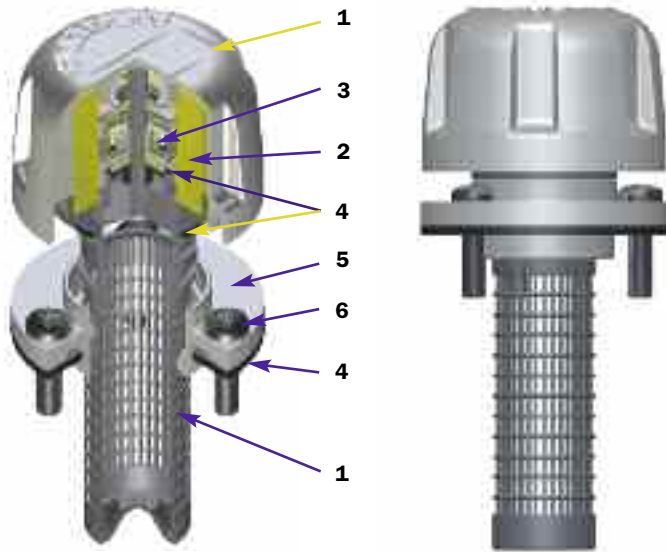
### 7 - Options

**P01** MP Filtri standard

# Series TAP 50

Nylon oil filler and air breather filler caps

## Dimensions



### TAP50 (Materials)

- 1 - Cover/ringnut: Nylon
- 2 - Filter element: Impregnated paper  
Polyurethane
- 3 - Pressurisation valve: Nylon  
Galvanised Steel  
NBR
- 4 - Seal: NBR
- 5 - Flange: Nylon
- 6 - Screws: Galvanised Steel
- 7 - Basket: Nylon

### Flow rates with $\Delta p$ : 0,02 bar

Filtration	l/min
10 $\mu$ m	202

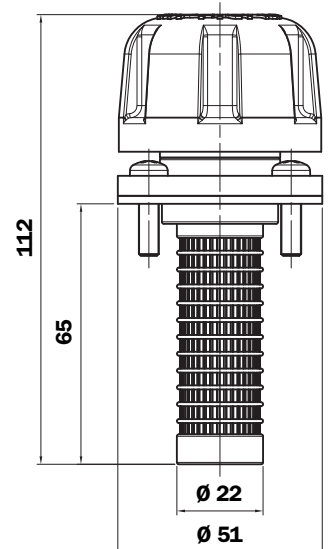
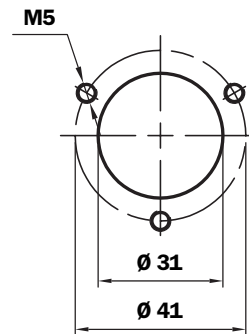
### Quantity per pack Number of Parts

TAP50	10
-------	----

### Weight

TAP50: 0,060 kg

### Reservoir holes



## Ordering information

### Filler cap

TAP50

Example: TAP50

	1	2	3	4	5	6
TAP50	<input type="checkbox"/>	<input type="checkbox"/>	<input type="checkbox"/>	<input type="checkbox"/>	<input type="checkbox"/>	<input type="checkbox"/>
Example: TAP50	B	10	A	0	1	P01

### 1 - Connection to reservoir

- B Flange with bayonet connection
- C Flange with bayonet connection G 3/4"

### 4 - Valves

- 0 Without
- 1 0,5 bar pressurisation valve

### 2 - Filter element

- 03 3  $\mu$ m - Impregnated paper
- 10 10  $\mu$ m - Polyurethane

### 5 - Basket

- 1 L= 65 mm

### 3 - Seal

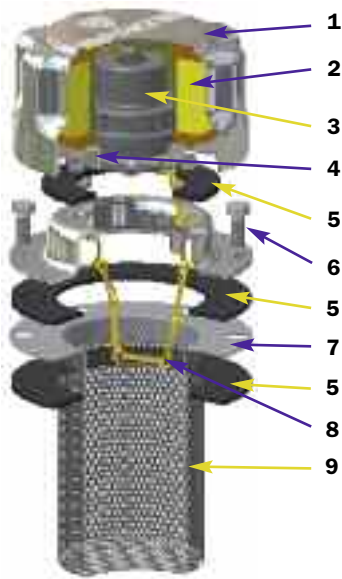
- A NBR

### 6 - Options

- P01 MP Filtri standard

# Series TA 80

## Metal oil filler and air breather filler caps



### TA80 B/D (Materials)

- 1 - Cover: Chrome Plated Steel
- 2 - Filter element: Impregnated paper  
Polyurethane
- 3 - Pressurisation valve:  
Bodies: Nylon  
End cap-disk: Galvanised Steel  
Spring: Steel  
Seals: NBR
- 4 - Flange and anti-splash feature: Galvanised Steel
- 5 - Seals: Cork Gasket  
NBR
- 6 - Screws: Galvanised Steel
- 7 - Flange: Galvanised Steel
- 8 - Chain, ring: Brass
- 9 - Basket TA80B: Galvanised Steel

### Flow rates with $\Delta p$ : 0,02 bar

Filtration	l/min
3 $\mu m$	450
10 $\mu m$	550

### Weight

Strainer L 80 mm:	0,330 Kg
Strainer L 150 mm:	0,350 Kg

### TA 80 B

Bayonet connection  
Non-removable basket



### TA 80 B

Bayonet connection  
With Padlock tab



### TA 80 D

Bayonet connection  
Removable basket



### TA80B00....P01

Bayonet connection  
Closed filler cap without  
filter element



### TA80B10....P01

Bayonet connection  
Filler cap with filter  
element



### TA80B03.9..P01

Bayonet connection  
Filler cap with anti-splash  
feature and filter element



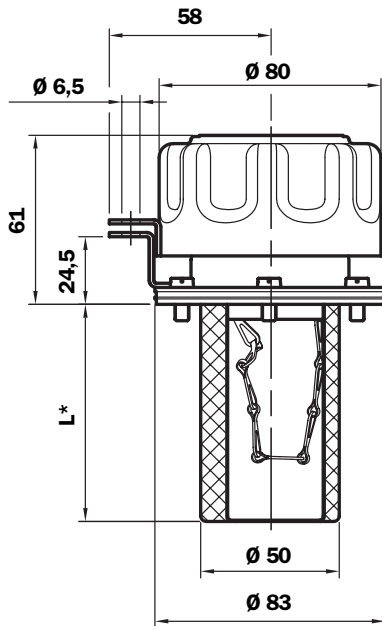
### TA80B10.1..P01

Bayonet connection  
Filler cap with  
pressurisation valve  
and filter element

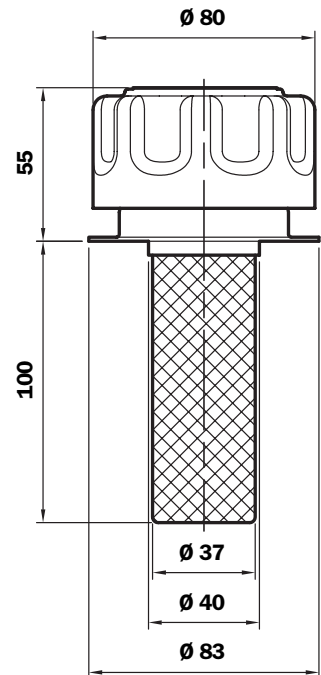


# Dimensions

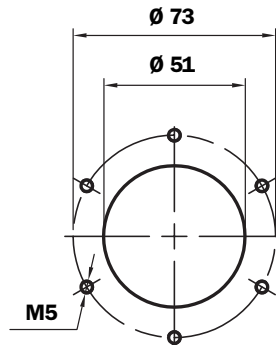
## Bayonet connection



## Weld flange



## Reservoir holes

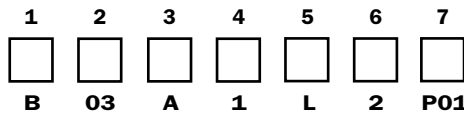


# Ordering information

### Filler cap

**TA80**

Example: **TA80**



### 1 - Connection to reservoir

- B** Flange with bayonet connection
- D** Weld flange

### 2 - Filter element

- 00** Without filter (Blank filler cap)
- 03** 3 µm - Impregnated paper
- 10** 10 µm - Polyurethane

### 3 - Seal

- A** NBR
- B** Cork gasket

### 4 - Valves

- 0** Without
- 1** 0,3 bar pressurisation valve (only with seals NBR)
- 2** 0,7 bar pressurisation valve (only with seals NBR)
- 9** Anti-splash feature (only with filter element 3 µm)

### 5 - Variants

- 0** Standard
- L** With Padlock tab (B versions only)

### 6 - Basket

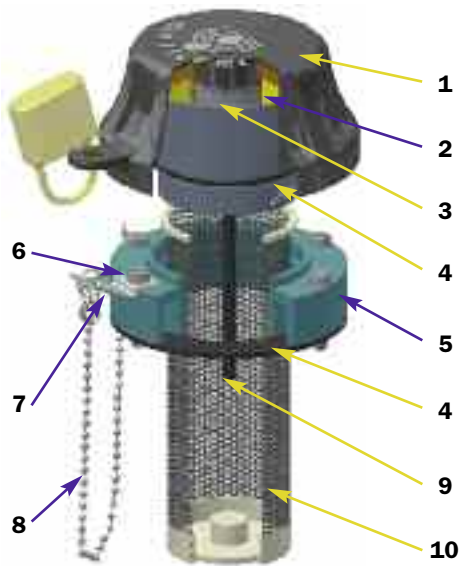
- 0** Without
- 1** \*L= 80 mm (B versions only)
- 2** \*L= 150 mm (B versions only)
- 3** \*L= 100 mm (D versions only)

### 7 - Options

- P01** MP Filtri standard

# Series TAP 90

## Nylon oil filler and air breather filler caps



### TAP90 (Materials)

- 1 - Cover/ringnut: Nylon
- 2 - Filter element: Impregnated paper  
Polyurethane
- 3 - Pressurisation valve: Nylon  
Galvanised Steel  
NBR
- 4 - Seal: NBR
- 5 - Flange B: Nylon
- 6 - Screws: Galvanised Steel
- 7 - Padlock tab: Galvanised Steel
- 8 - Chain, ring: Brass
- 9 - Dipstick: Phosphated Steel
- 10 - Basket: Galvanised Steel/Nylon

### Flow rate with $\Delta p$ : 0,02 bar

Filtration	l/min
3 $\mu$ m	450
10 $\mu$ m	550

### Weight

Basket L 120 mm:	0,250 Kg
Basket L 250 mm:	0,310 Kg

**TAP90 B.....**  
Flange with  
bayonet connection

**TAP90 R.....**  
Flange with  
M52x2 connection

**TAP90 F.....**  
Flange with spigot  
DIN 24557 Connection  
M52x2

**TAP90 C.....**  
Weld riser  
Connection M52x2



External chain



Internal chain



Internal chain



Weld riser in  
Galvanised Steel,  
internal chain

**TAP90 B-C-R-F**  
With dipstick

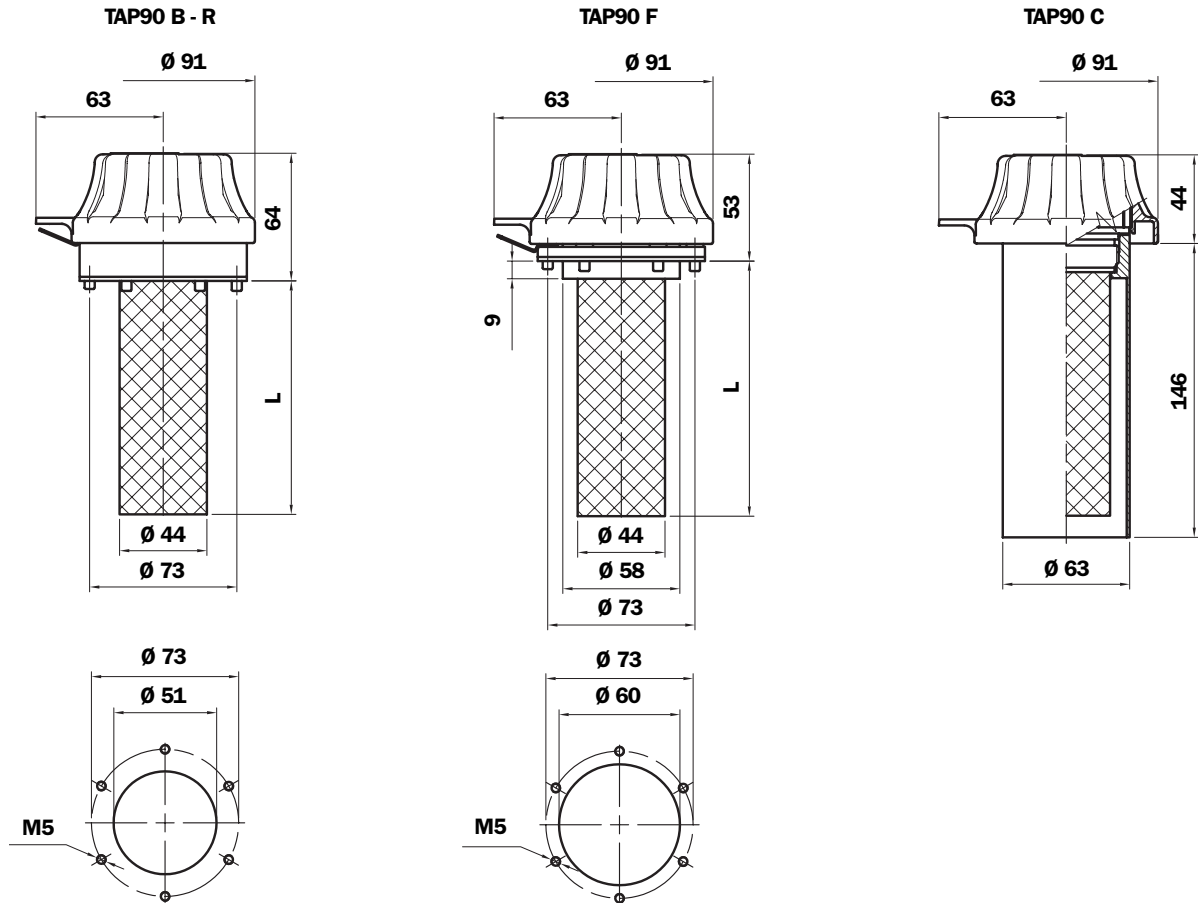
**TAP90 B-C-R-F**  
Closed filler cap without  
filter element

**TAP90 B-C-R-F**  
Filler cap with filter  
element

**TAP90 B-C-R-F**  
Filler cap with  
pressurisation valve



# Dimensions



## Ordering information

Filler cap  
**TAP90**  
 Example: TAP90    **B**   **03**   **A**   **1**   **0**   **5**   **P01**

### 1 - Connection to reservoir

- B** Flange with bayonet connection
- C** Weld riser (M52X2 version only)
- F** Flange with threaded M52x2 connection Spigot Ø 60 (DIN 24557)
- R** Flange with M52X2 threaded connection

### 2 - Filter element

- 00** Without filter (Blank filler cap)
- 03** 3 µm - Impregnated paper
- 10** 10 µm - Polyurethane

### 3 - Seal

- A** NBR

### 4 - Valves

- 0** Without
- 1** 0.3 bar pressurisation valve
- 2** 0.7 bar pressurisation valve

### 5 - Variantes

- 0** Standard
- L** With Padlock tab
- A** With Dipstick
- C** With Chain external for connection **B**  
With Chain internal for connection **C-F-R** (with basket only)
- D** With Padlock tab and chain external for connection **B**  
With Padlock tab and chain internal for connection **C-F-R** (with basket only)
- E** Dipstick and chain external (only connection **B**)
- F** Dipstick and Padlock tab
- G** Dipstick, Padlock tab and chain external (only connection **B**)

### 6 - Basket (Stainless steel basket on request)

- 0** Without
- 1** L= 120 mm
- 3** L= 250 mm

In the version with chain the L= 120 basket features a press fitting.

### 7 - Options

- P01** MP Filtri standard

# Series TAP 114

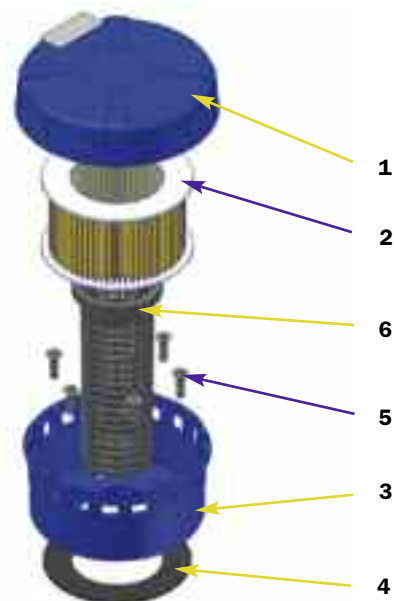
Nylon oil filler and air breather filler caps



**Example  
TAP114  
Length 1**



**Example  
TAP114  
Length 2**

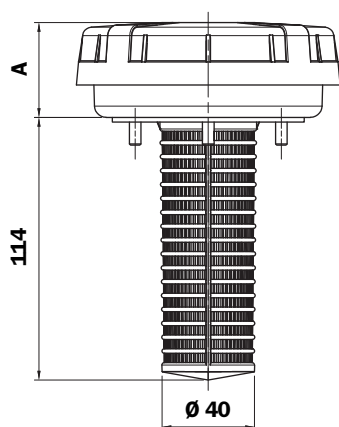


**TAP114 (Materials)**

- 1 - Cover: Nylon
- 2 - Filter element: Impregnated paper
- 3 - Flange: Nylon
- 4 - Seal: NBR
- 5 - Screws: Galvanised Steel
- 6 - Basket: Nylon

## Dimensions

**TAP 114**



Length	A
1	41
2	56
3	68

**Flow rates with  $\Delta p$ : 0,02 bar**

**Length 1**

Filtration	l/min
10 $\mu m$	1450

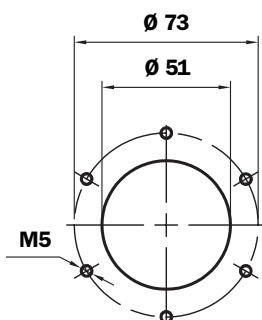
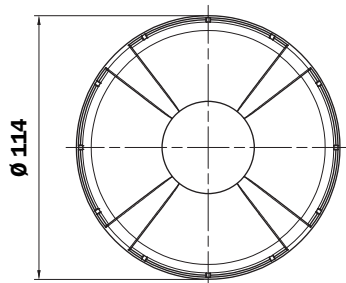
**Length 2**

Filtration	l/min
10 $\mu m$	1600

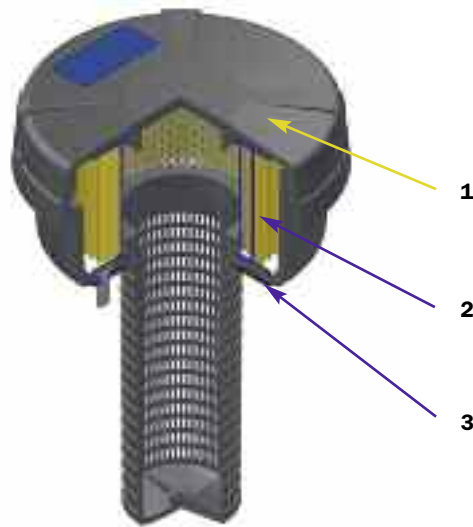
**Weight**

TAP 114 1: 0,185 Kg  
TAP 114 2: 0,200 Kg

**Reservoir  
holes**







## TAP 114 spare parts

Item.	Description	Q.ty	Filler cap series TAP 114	
1	Complete filler cap	1	See order table	
2	Filter Element	1	See order table	
3	Seal	1	NBR 01026306	FPM 01026332

## Ordering information

**Filler cap**  
**TAP114**

1	2	3	4	5
<input type="checkbox"/>	<input type="checkbox"/>	<input type="checkbox"/>	<input type="checkbox"/>	<input type="checkbox"/>

**Example: TAP114**    3    L10    A    1    P01

**Filter element**  
**A114**

1	2	3
<input type="checkbox"/>	<input type="checkbox"/>	<input type="checkbox"/>

**Example: TAP114**    3    L10    P01

### 1 - Length

1
2
3

### 2 - Filter element

L10    10 µm - Impregnated paper

### 3 - Seal

A    NBR

### 4 - Basket

1    L= 114 mm

### 5 - Options

P01    MP Filtri standard

# Series TAP 115

Nylon oil filler and air breather filler caps



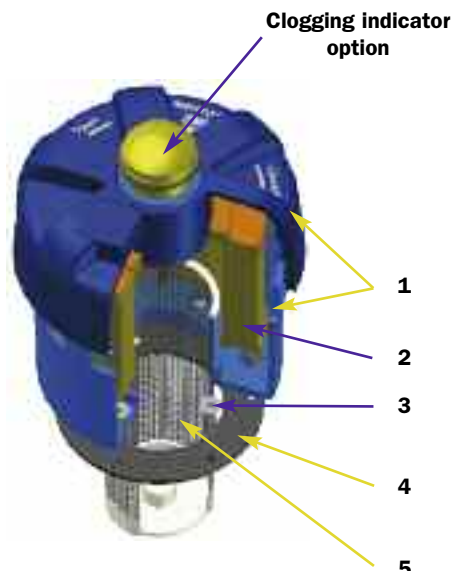
Example  
TAP115

Length 1  
Without indicator



Example  
TAP115

Length 2  
With indicator



### TAP115 (Materials)

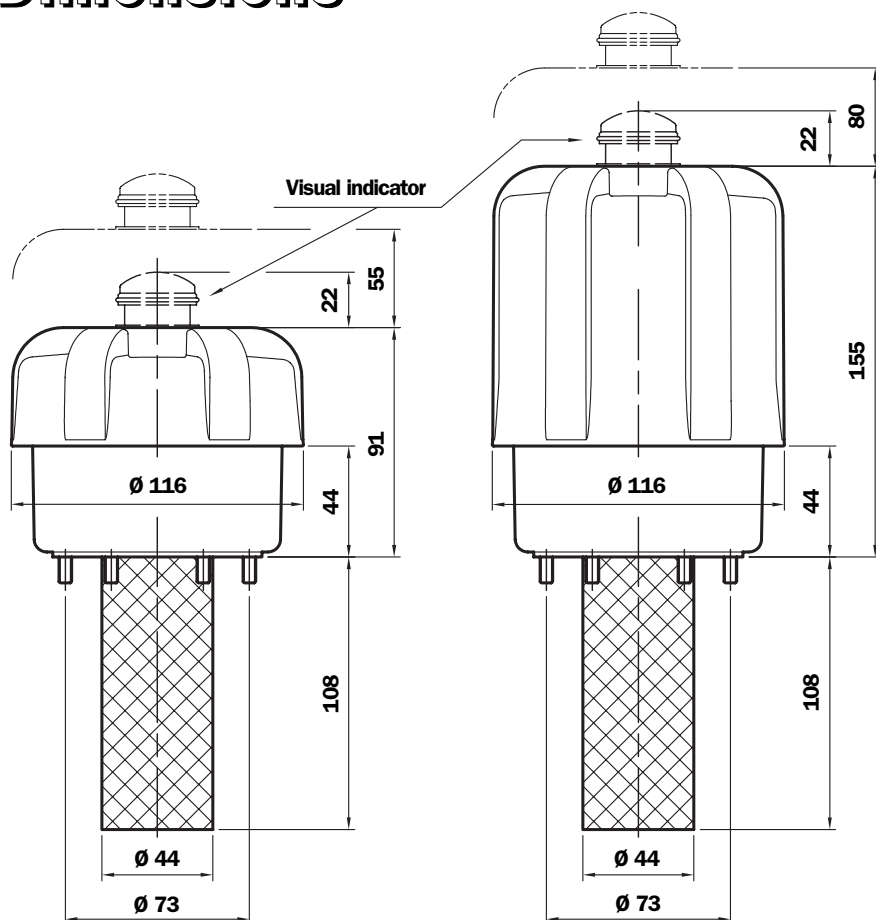
- 1 - Cover/Flange: Nylon
- 2 - Filter element: Microfibre Impregnated paper
- 3 - Seals: NBR  
FPM
- 4 - Screws: Galvanised Steel
- 5 - Basket: Galvanised Steel/Nylon

### Clogging indicator

Set pressure: - 0,062 bar  $\pm$  10 %

Manual reset

## Dimensions



Flow rates with  $\Delta p$ : 0,02 bar

### Length 1

Filtration	l/min
3 $\mu$ m	1600
10 $\mu$ m	2000

### Length 2

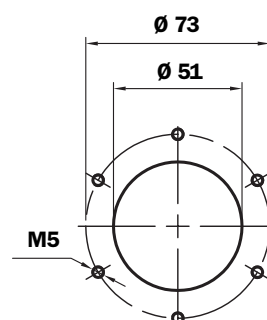
Filtration	l/min
3 $\mu$ m	2150
10 $\mu$ m	2150

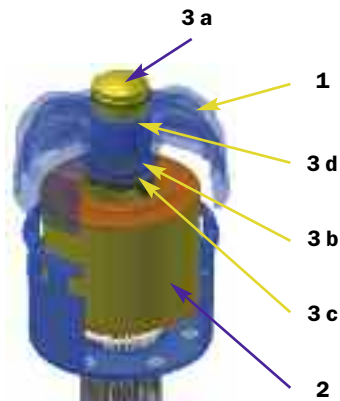
### Weight

TAP 115 1: 0,460 Kg

TAP 115 2: 0,585 Kg

### Reservoir holes





## TAP 115 spare parts

Item.	Description	Q.ty	Filler cap series TAP 115	
1	Complete filler cap	1	See order table	
2	Filter Element	1	See order table	
3	Indicator kit	1	NBR 02005187	FPM 02005188
3a	Visual indicator	1	S62P01	
3b	Seal	1	O-R 3106 Ø 26,64 X 2,62	
3c	Indicator securing screw	1	01022670	
3d	O-R indicator	1	O-R 2112 Ø 28,3 x 1,78	

## Changing the filter element in TAP 115 series filler caps

- 1 Thoroughly clean the filler cap and adjacent parts.
- 2 Unscrew and raise the cover.
- 3 Replace the filter element.
- 4 Screw the cover.



## Ordering information

<b>Filler cap</b>	1	2	3	4	5	6	7
<b>TAP115</b>	<input type="checkbox"/>	<input type="checkbox"/>	<input type="checkbox"/>	<input type="checkbox"/>	<input type="checkbox"/>	<input type="checkbox"/>	<input type="checkbox"/>
<b>Example: TAP115</b>	2	F	A03	A	1	B	P01
<b>Filter element</b>	1	3	7				
<b>A115</b>	<input type="checkbox"/>	<input type="checkbox"/>	<input type="checkbox"/>				
<b>Example: TAP115</b>	2	A03	P01				

### 1 - Length

 1  
 2

### 2 - Connection

 F Flange

### 3 - Filter element

 A03 3 µm - Microfibre  
 L10 10 µm - Impregnated paper

### 4 - Seal

 A NBR  
 V FPM

### 5 - Basket

 0 Without  
 1 L= 120 mm

### 6 - Clogging indicator

 A Without  
 B Clogging indicator

### 7 - Options

 P01 MP Filtri standard

# Series TLP 114

## Nylon oil filler and air breather filler cap with electrical level indicator



### TLP 114 (Materials)

- 1 - Cover: Nylon
- 2 - Filter element: Resin impregnated cellulose
- 3 - Flange: Nylon
- 4 - Basket: Zinc Planted Steel
- 5 - Screws: Zinc Planted Steel
- 6 - Seals: NBR - FPM
- 7 - Level indicator

### Level sensor (Materials)

- Flange: Nylon
- Stem: AISI 304
- Float: Nylon

### General data

#### Temperature

- From -15°C to +80°C

#### Weight

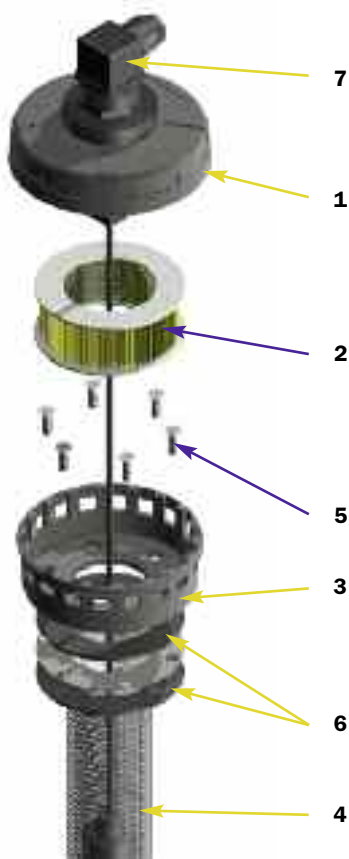
- TLP 114: 650 gr

#### Compatibility

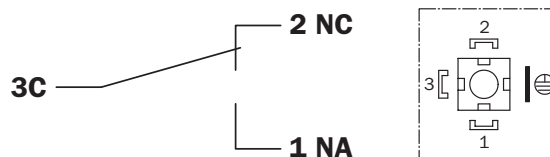
- Mineral/Sintetic oil

#### Flow rates with $\Delta p$ : 0,02 bar

Filtration	l/min
10 $\mu m$	1450



Connector EN 175301-803 A/ISO 4400



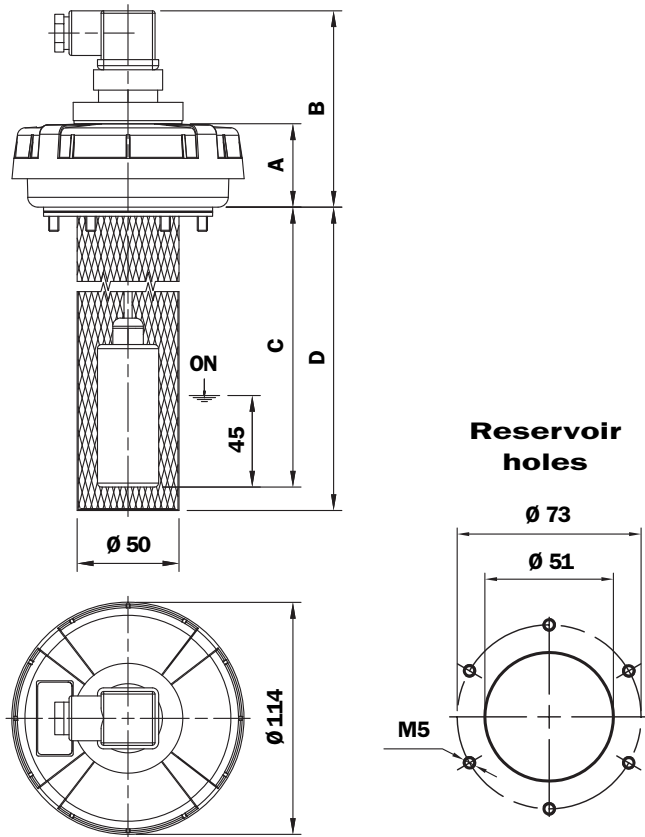
### Contact

- SPDT
- Protection degree: IP 65
- Max switchable capacity: 80 W (50 W SPDT)
- Max switchable current: 1 A
- Max switchable voltage: 250 Vac (220 W SPDT)
- Density of fluid: >0,75

### Contact

- Ground of level indicator is not connected

# Dimensions



# Change level sensor length



## TLP 114

Length filler cap	A mm	B mm	C mm	D mm
TLP114 1L 10x1P01	41	97	290	302
TLP114 1L 10x2P01	41	97	518	530
TLP114 2L 10x1P01	56	112	275	302
TLP114 2L 10x2P01	56	112	503	530
TLP114 3L 10x1P01	68	124	263	302
TLP114 3L 10x2P01	68	124	491	530

- A) To screw out the nut**
- B) To extract the float**
- C) To shorten the rod**
- D) To re-assemble**

# Ordering information

<b>Filler cap</b>	1	2	3	4	5	6
<b>TLP</b>	<input type="checkbox"/>	<input type="checkbox"/>	<input type="checkbox"/>	<input type="checkbox"/>	<input type="checkbox"/>	<input type="checkbox"/>
<b>Example: TLP</b>	<b>114</b>	<b>1</b>	<b>L10</b>	<b>A</b>	<b>1</b>	<b>P01</b>
<b>Filter element</b>	1	2	3	6		
<b>A</b>	<input type="checkbox"/>	<input type="checkbox"/>	<input type="checkbox"/>	<input type="checkbox"/>		
<b>Example: TLP</b>	<b>114</b>	<b>1</b>	<b>L10</b>	<b>P01</b>		

### 1 - Size

**114**

### 2 - Length

**1**  
**2**  
**3**

### 3 - Filter element

**L10** 10 µm - Impregnated paper

### 4 - Seal

**A** NBR  
**V** FPM

### 5 - Basket - Level

**1** With electric level indicator and basket L= 300 mm  
**2** With electric level indicator and basket L= 530 mm

### 6 - Option

**P01** MP filtri standard

# Series SMF

Nylon angled flange



## SMF (Materials)

1 - Flange: Nylon

2 - Seals: NBR

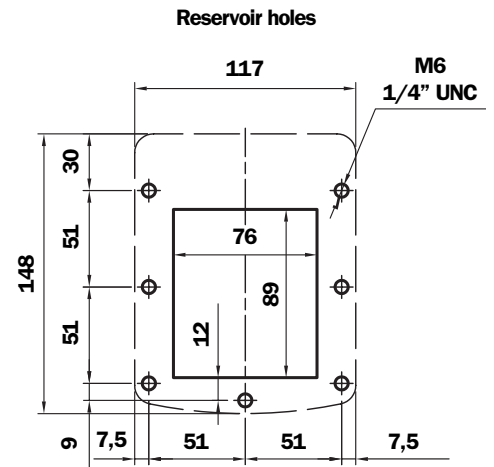
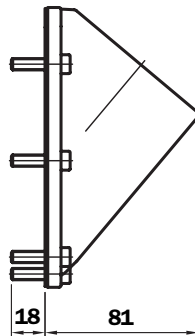
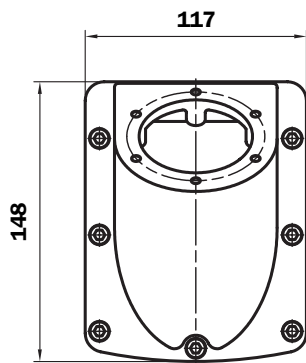
Cork gasket

3 - Screws: Galvanised/Phosphated Steel

## Weight

SMF: 0,325 kg

## Dimensions



## Ordering information

**SMF1**

Example: SMF 1    **1**    **2**    **3**  
                                  **M**    **A**    **P01**

### 1 - Connection to reservoir

- M** Fixing with Metric screws
- U** Fixing with UNC screws

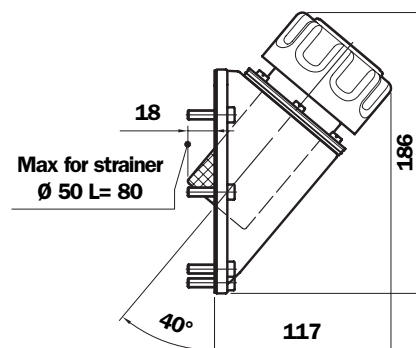
### 2 - Seal

- A** NBR
- B** Cork gasket

### 3 - Options

- P01** MP Filtri standard

## Dimensions



**Flow rate with  $\Delta p$ : 0,02 bar**

Filtration	l/min
3 $\mu\text{m}$	450
10 $\mu\text{m}$	550

**Weight**

TAF 80: 0,655 Kg

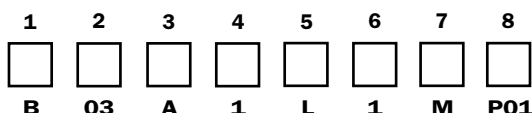
For tank hole see "SMF 1"  
page 18.

## Ordering information

**Filler cap**

**TAF80**

Example: TAF80



**B 03 A 1 L 1 M P01**

**1 - Filler cap connection**

**B** Flange with bayonet connection

**2 - Filter element**

**00** Without filter (Blank filler cap)

**03** 3  $\mu\text{m}$  - Impregnated paper

**10** 10  $\mu\text{m}$  - Polyurethane

**3 - Seal**

**A** NBR

**B** Cork gasket

**4 - Pressurisation valve**

**0** Without

**1** 0,3 bar pressurisation valve

**2** 0,7 bar pressurisation valve

**9** Anti-splash feature  
(only with filter element 3  $\mu\text{m}$ )

Only with  
seal NBR

**5 - Variants**

**0** Standard

**L** With Padlock tab

**6 - Basket**

**0** Without

**1** L= 80 mm

**7 - Connection to reservoir**

**M** Fixing with Metric screws

**U** Fixing with UNC screws

**8 - Options**

**P01** MP Filtri standard

# Series TAF 90

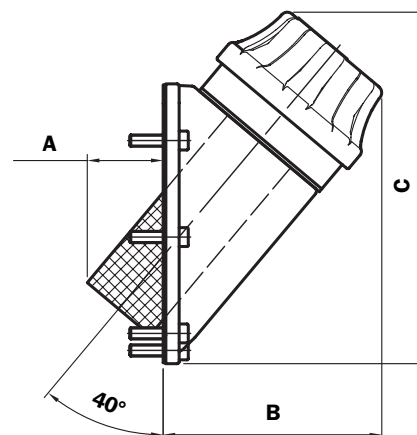
Nylon oil filler and air breather filler caps

## Dimensions

TAF 90 ...



TAF 90 B - R - F



Type	A	B	C
TAF90 B - R	40	116	186
TAF90 F	48	109	178

For tank hole see "SMF 1" page 18.

Flow rate with  $\Delta p$ : 0,02 bar

Filtration	l/min
3 $\mu\text{m}$	450
10 $\mu\text{m}$	550

Weight

TAF 90: 0,535 Kg

## Ordering information

Filler cap	1	2	3	4	5	6	7	8
TAF90	<input type="checkbox"/>	<input type="checkbox"/>	<input type="checkbox"/>	<input type="checkbox"/>	<input type="checkbox"/>	<input type="checkbox"/>	<input type="checkbox"/>	<input type="checkbox"/>
Example: TAF90	B	03	A	1	L	1	M	P01

### 1 - Filler cap connection

<b>B</b>	Flange with bayonet connection
<b>F</b>	Flange with threaded M52x2 connection Spigot $\varnothing$ 60 (DIN 24557)
<b>R</b>	Flange with threaded connection M52x2

### 2 - Filter element

<b>00</b>	Without filter (Blank filler cap)
<b>03</b>	3 $\mu\text{m}$ - Impregnated paper
<b>10</b>	10 $\mu\text{m}$ - Polyurethane

### 3 - Seal

<b>A</b>	NBR
----------	-----

### 4 - Pressurisation valve

<b>0</b>	Without
<b>1</b>	0,3 bar pressurisation valve
<b>2</b>	0,7 bar pressurisation valve

### 5 - Variants

<b>0</b>	Standard
<b>L</b>	With Padlock tab
<b>A</b>	With Dipstick
<b>C</b>	With Chain external for connection <b>B</b> With Chain internal for connection <b>F-R</b> (with basket only)
<b>D</b>	With Padlock tab and chain external for connection <b>B</b> With Padlock tab and chain internal for connection <b>F-R</b> (with basket only)

### 6 - Basket

<b>0</b>	Without
<b>1</b>	L= 120 mm

### 7 - Connection to reservoir

<b>M</b>	Fixing with Metric screws
<b>U</b>	Fixing with UNC screws

### 8 - Options

<b>P01</b>	MP Filtri standard
------------	--------------------

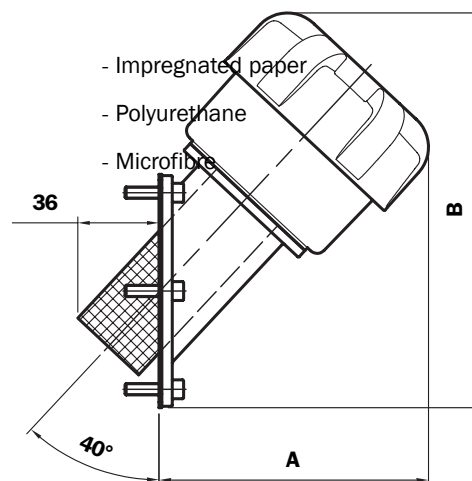


## Dimensions

TAF 1151 F



TAF 115



Flow rate with  $\Delta p$ : 0,02 bar

**Length 1**

Filtration	l/min
3 $\mu m$	1600
10 $\mu m$	2000

**Weight**

TAF 115 1: 0,785 Kg

**Length 2**

Filtration	l/min
3 $\mu m$	2150
10 $\mu m$	2150

**Weight**

TAF 115 2: 0,910 Kg

Length	A	B
1	145	216
2	187	266

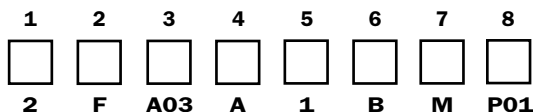
For tank hole see "SMF 1" page 18.

## Ordering information

**Filler cap**

**TAF115**

Example: TAF115



**1 - Filler cap length**

1
2

**2 - Connection**

F
---

**3 - Filter element**

A03
L10

**4 - Seal**

A
V

**5 - Basket**

0
1

**6 - Clogging indicator**

A
B

**7 - Connection to reservoir**

M
U

**8 - Options**

P01
-----

# Series SML

## Aluminium angled flange



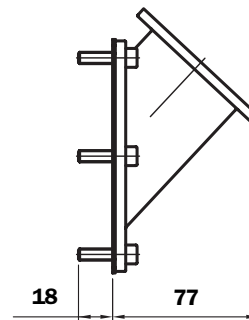
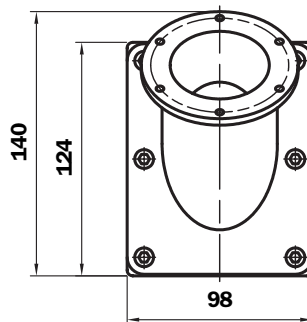
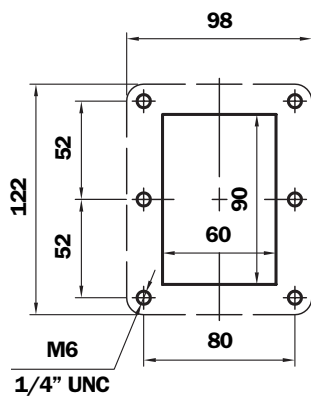
### SML (Materials)

- 1** - Flange: Aluminium
- 2** - Screws: Phosphated Steel
- 3** - Seals: NBR  
Cork gasket

### Weight

SML: 0,380 Kg

## Dimensions



## Ordering information

**SML1**

Example: SML 1    **1**    **2**    **3**  
                           M    A    P01

### 1 - Connection to reservoir

- M** Fixing with Metric screws
- U** Fixing with UNC screws

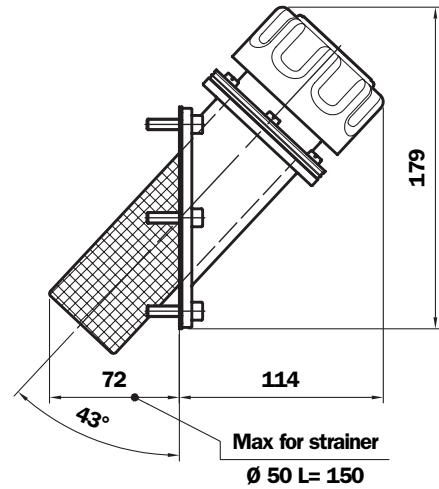
### 2 - Seal

- A** NBR
- B** Cork gasket

### 3 - Options

- P01** MP Filtri standard

## Dimensions



Flow rate with  $\Delta p$ : 0,02 bar

Filtration	l/min
3 $\mu$ m	450
10 $\mu$ m	550

Weight

TAL 80 1: 0,710 Kg

For tank hole see "SML 1" page 22.

## Ordering information

**Filler cap TAL80**

Example: TAL80 **B 03 A 1 L 1 M P01**

### 1 - Filler cap connection

**B** Flange with bayonet connection

### 2 - Filter element

**00** Without filter (Blank filler cap)

**03** 3  $\mu$ m - Impregnated paper

**10** 10  $\mu$ m - Polyurethane

### 3 - Seal

**A** NBR

**B** Cork gasket

### 4 - Pressurisation valve

**0** Without

**1** 0,3 bar pressurisation valve

**2** 0,7 bar pressurisation valve

**9** Anti-splash feature (only with filter element 3  $\mu$ m)

Only with seal NBR

### 5 - Variants

**0** Standard

**L** With Padlock tab

### 6 - Basket

**0** Without

**1** L= 80 mm

### 7 - Connection to reservoir

**M** Fixing with Metric screws

**U** Fixing with UNC screws

### 8 - Options

**P01** MP Filtri standard

# Series TAL 90

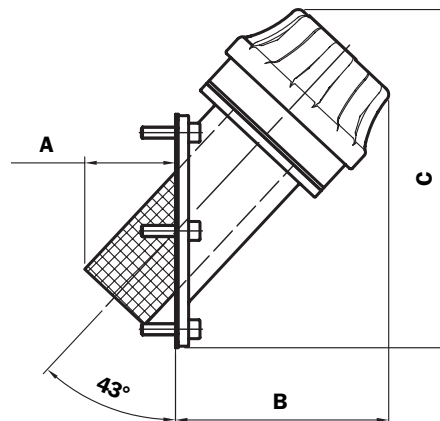
Nylon oil filler and air breather filler caps

## Dimensions

TAL 90 ...



TAL 90 B - R - F



Flow rate with  $\Delta p$ : 0,02 bar

Filtration	l/min
3 $\mu$ m	450
10 $\mu$ m	550

Weight

TAL 90: 0,560 Kg

Type	A	B	C
TAL90 B - R	48	113	179
TAL90 F	56	105	171

For tank hole see "SMF 1" page 18.

## Ordering information

Filler cap	1	2	3	4	5	6	7	8
TAL90	<input type="checkbox"/>	<input type="checkbox"/>	<input type="checkbox"/>	<input type="checkbox"/>	<input type="checkbox"/>	<input type="checkbox"/>	<input type="checkbox"/>	<input type="checkbox"/>
Example: TAL90	B	03	A	1	L	1	M	P01

### 1 - Filler cap Connection

<b>B</b>	Flange with bayonet connection
<b>F</b>	Flange with threaded connection M52x2 Spigot $\varnothing$ 60 (DIN 24557)
<b>R</b>	Flange with threaded connection M52x2

### 2 - Filter element

<b>00</b>	Without filter (Blank filler cap)
<b>03</b>	3 $\mu$ m - Impregnated paper
<b>10</b>	10 $\mu$ m - Polyurethane

### 3 - Seal

<b>A</b>	NBR
----------	-----

### 4 - Pressurisation valve

<b>0</b>	Without
<b>1</b>	0,3 bar pressurisation valve
<b>2</b>	0,7 bar pressurisation valve

### 5 - Variants

<b>0</b>	Standard
<b>L</b>	With Padlock tab
<b>C</b>	With Chain external for connection <b>B</b> With Chain internal for connection <b>F-R</b> (with basket only)
<b>D</b>	With Padlock tab and chain external for connection <b>B</b> With Padlock tab and chain internal for connection <b>F-R</b> (with basket only)

### 6 - Basket

<b>0</b>	Without
<b>1</b>	L= 120 mm

### 7 - Connection to reservoir

<b>M</b>	Fixing with Metric screws
<b>U</b>	Fixing with UNC screws

### 8 - Options

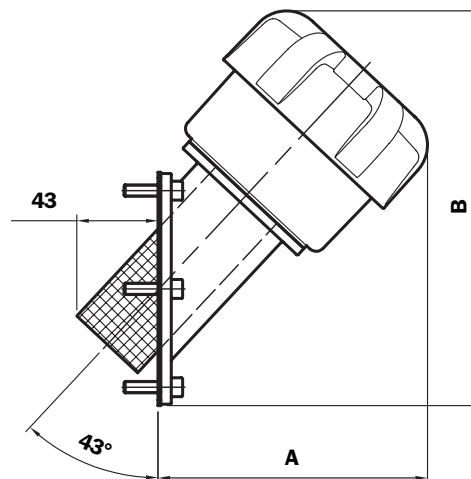
<b>P01</b>	MP Filtri standard
------------	--------------------

## Dimensions

TAL 115 1 F



TAL 115



Flow rate with  $\Delta p$ : 0,02 bar

**Length 1**

Filtration	l/min
3 $\mu\text{m}$	1600
10 $\mu\text{m}$	2000

**Weight**

TAL 115 1: 0,840 Kg

**Length 2**

Filtration	l/min
3 $\mu\text{m}$	2150
10 $\mu\text{m}$	2150

**Weight**

TAL 115 2: 0,965 Kg

Length	A	B
1	143	209
2	187	257

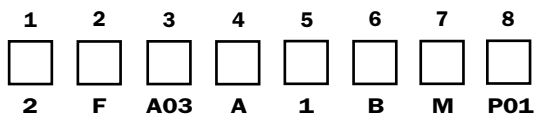
For tank hole see "SML 1" page 22.

## Ordering information

**Filler cap**

TAL115

Example: TAL115



**1 - Filler cap length**

- 1
- 2

**2 - Connection**

- F Flange

**3 - Filter element**

- A03 3  $\mu\text{m}$  - Microfibre
- L10 10  $\mu\text{m}$  - Impregnated paper

**4 - Seal**

- A NBR
- V FPM

**5 - Basket**

- 0 Without
- 1 L= 120 mm

**6 - Clogging indicator**

- A Without
- B Clogging indicator

**7 - Connection to reservoir**

- M Fixing with Metric screws
- U Fixing with UNC screws

**8 - Options**

- P01 MP Filtri standard

# Series ATS

## Universal adapter for filling to reservoir

Possible use with oil filter/air breather filler caps

type:

- TA 80

- TAP 90

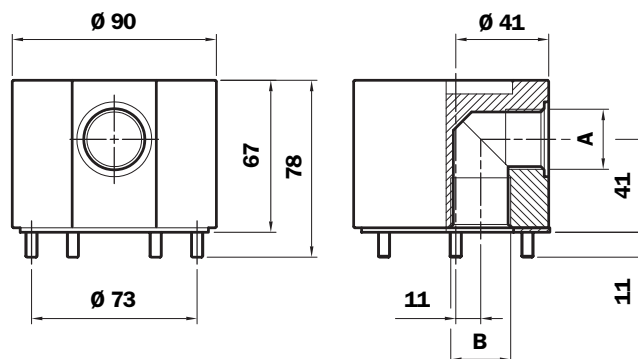
- TAP 115

- SCS 100 F

## Dimensions



### Adapter for Filler and breather plugs



#### ATS (Materials)

1 - Adapter: Anodised Aluminium

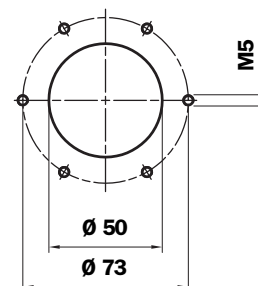
2 - Screws: Steel

3 - Seals: NBR  
FPM  
Cork Gasket

#### Weight

ATS: 1 Kg

#### Reservoir holes



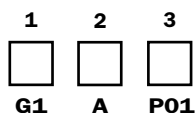
Connection	A	B
G1	G 3/4"	G 3/4"
G2	SAE 12	1 1/16" 12 UN

## Ordering information

### Adapter for filler caps

#### ATS 1

Example: ATS 1



#### 1 - Connection

G1	G 3/4"
G2	SAE 20 (1 1/16" 12 UN)

#### 2 - Seal

A	NBR
B	Cork gasket
V	FPM

#### 3 - Options

P01	MP Filtri standard
-----	--------------------